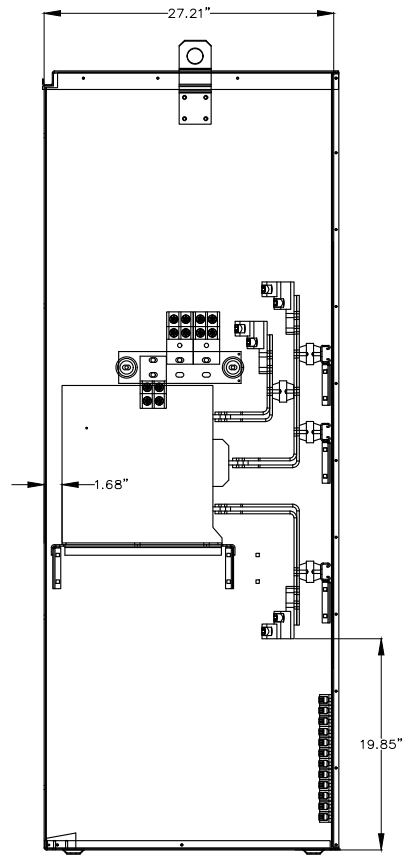
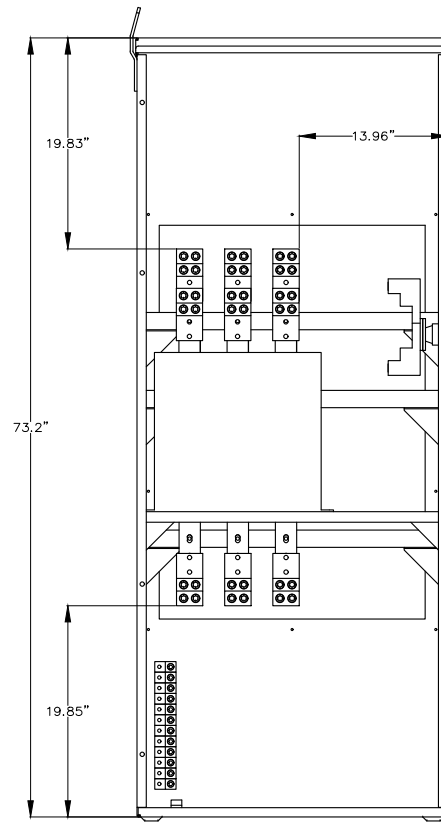


FRONT VIEW



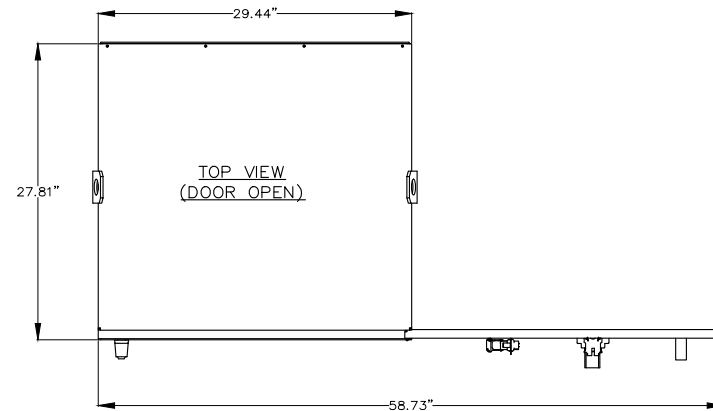
SECTION A-A



FRONT VIEW
(DOOR NOT SHOWN)



VIEWED FROM REAR
(INSIDE) OF DOOR



TOP VIEW
(DOOR OPEN)

Uncontrolled Copy

BASIC MODEL TS97xA	STANDARD ATS		
	MAX. VOLTAGE	RATED CURRENT (A)	④480V
TS 93xA-800	480	800	52,500
TS 93xA-1000	480	1000	52,500
TS 93xA-1250	480	1250	63,000

CONNECTION DATA		
800A ATS	UTILITY (SRC1)	1-4C, #4-600MCM CU/AL PER PHASE
	GENERATOR (SRC2)	1-4C, #4-600MCM CU/AL PER PHASE
	LOAD	1-4C, #4-600MCM CU/AL PER PHASE
	NEUTRAL	1-4C, #4-600MCM CU/AL PER PHASE
1000A ATS	UTILITY (SRC1)	1-4C, #4-600MCM CU/AL PER PHASE
	GENERATOR (SRC2)	1-4C, #4-600MCM CU/AL PER PHASE
	LOAD	1-4C, #4-600MCM CU/AL PER PHASE
	NEUTRAL	1-4C, #4-600MCM CU/AL PER PHASE
1250A ATS	UTILITY (SRC1)	1-4C, #4-600MCM CU/AL PER PHASE
	GENERATOR (SRC2)	1-4C, #4-600MCM CU/AL PER PHASE
	LOAD	1-4C, #4-600MCM CU/AL PER PHASE
	NEUTRAL	1-4C, #4-600MCM CU/AL PER PHASE
GROUND		12C, #6-250MCM Cu/Al

GENERAL NOTES	
1	REFER COVER PAGE / SELECTED OPTION LIST FOR PROJECT SPECIFIC DETAILS

2.5" x 5" **W1**

⚠ DANGER PELIGRO

Arc Flash and Shock Hazard
Will cause severe injury or death. More than one live circuit- see diagram. Disconnect all sources of supply before servicing. This equipment must be installed and serviced only by qualified electrical personnel utilizing safe work practices and appropriate Personal Protective Equipment (PPE). Failure to comply may result in injury or death! Refer to NFPA 70E for minimum PPE requirements.

Risque d'Arc Electrique et d'Electrocution
Peut causer des blessures graves ou la mort. Plus d'un circuit sous tension - voir schéma. Coupez toutes les sources d'alimentation avant de faire l'entretien et les réparations. Ce matériel doit être installé et entretenu uniquement par un électricien qualifié. Ce dernier doit connaître les pratiques de travail sécuritaires et porter l'équipement de protection individuelle approprié. Le non respect peut entraîner des blessures ou la mort! Raportez-vous à NFPA 70E pour le manuel des exigences minimales PPE.

Riesgo de Arco y Choque Eléctrico
Se causarán lesiones graves o muerte. Más de un circuito energizado - ver diagrama. Desconecte todas las fuentes de suministro antes de hacer mantenimiento. Este equipo solo se debe instalar y mantener por personal calificado, usando medidas de seguridad y equipo de protección personal adecuados. No seguir estas recomendaciones puede causar lesiones o muerte! Consulte la NFPA 70E para los requisitos mínimos del equipo de protección personal (PPE).

QTY = 1

APPROVED FOR CONSTRUCTION
 MASTER COPY REFERENCE COPY _____ OF _____
 MULTIPLE UNIT WORK ORDER
 RELEASED FOR INFORMATION
 AUTH. BY: _____ DATE: _____

CROSS REFERENCE LEGEND
 50C-C-1
 GRID COORDINATE
 SHEET No. _____

DRAWING No.	REFERENCE DRAWINGS	No.	REVISIONS	BY	AUTH	DATE

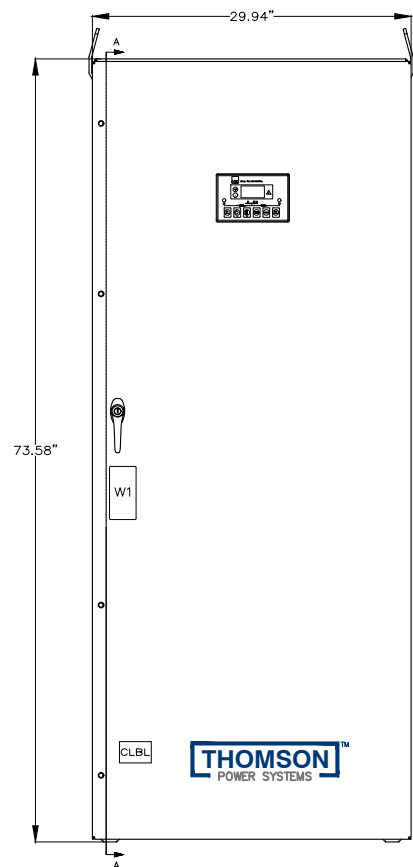


AUTOMATIC TRANSFER SWITCH
 MODEL TS 930
 PHYSICAL LAYOUT & INSTALLATION DETAILS
 800-1250A, 2P/3P, NEMA 1/2/12/3R SD, PCS ATS, COMAP, STD

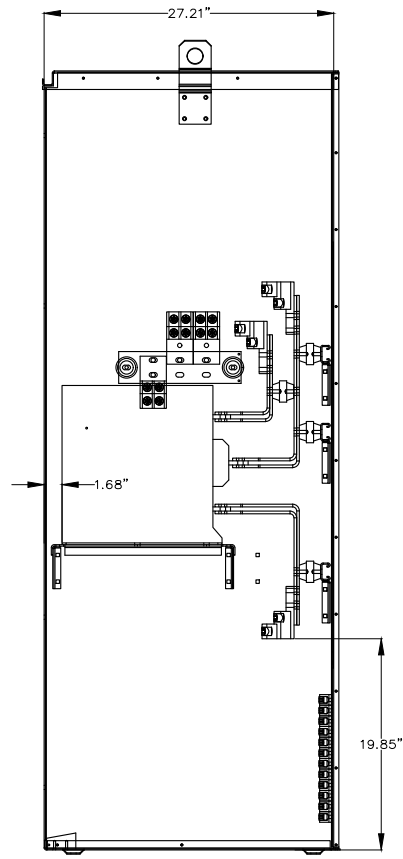
DRAWINGS AND/OR OTHER TECHNICAL INFORMATION SUPPLIED BY THOMSON POWER SYSTEMS AS A PART OF A SALE OF EQUIPMENT ARE FOR THE PURCHASER'S USE SOLELY IN CONJUNCTION WITH THAT EQUIPMENT, UNLESS SPECIFICALLY AGREED TO OTHERWISE AS A PART OF THE TERMS OF SALE.

CUSTOMER THOMSON POWER SYSTEMS			
CUSTOMER ORDER No. C-XXXXXX	WORK ORDER No. W-XXXXXX		
DRAWN BY JK	AUTH BY OG	DATE 18-10-22	REV 0
DRAWING/FILE No. PCS930M106	SHEET 10A		

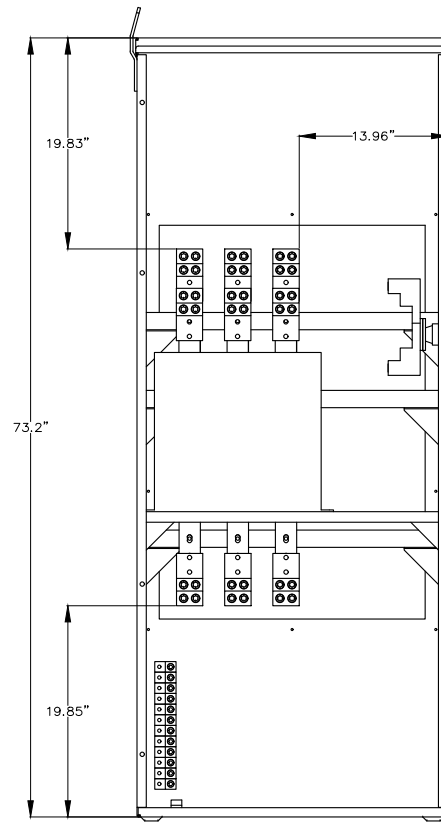
FOR REVIEW ONLY



FRONT VIEW



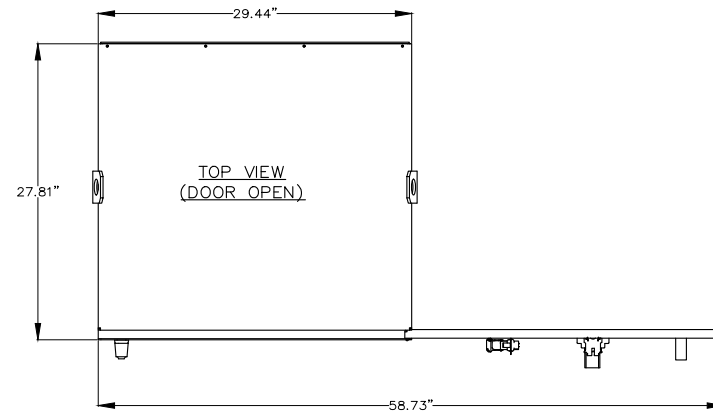
SECTION A-A



FRONT VIEW
(DOOR NOT SHOWN)



VIEWED FROM REAR
(INSIDE) OF DOOR



TOP VIEW
(DOOR OPEN)

Uncontrolled Copy

BASIC MODEL TS97xA	STANDARD ATS		
	MAX. VOLTAGE	RATED CURRENT (A)	④480V
TS 93xA-800	480	800	52,500
TS 93xA-1000	480	1000	52,500
TS 93xA-1250	480	1250	63,000

CONNECTION DATA		
800A ATS	UTILITY (SRC1)	1-4C, #4-600MCM CU/AL PER PHASE
	GENERATOR (SRC2)	1-4C, #4-600MCM CU/AL PER PHASE
	LOAD	1-4C, #4-600MCM CU/AL PER PHASE
	NEUTRAL	1-4C, #4-600MCM CU/AL PER PHASE
1000A ATS	UTILITY (SRC1)	1-4C, #4-600MCM CU/AL PER PHASE
	GENERATOR (SRC2)	1-4C, #4-600MCM CU/AL PER PHASE
	LOAD	1-4C, #4-600MCM CU/AL PER PHASE
	NEUTRAL	1-4C, #4-600MCM CU/AL PER PHASE
1250A ATS	UTILITY (SRC1)	1-4C, #4-600MCM CU/AL PER PHASE
	GENERATOR (SRC2)	1-4C, #4-600MCM CU/AL PER PHASE
	LOAD	1-4C, #4-600MCM CU/AL PER PHASE
	NEUTRAL	1-4C, #4-600MCM CU/AL PER PHASE
GROUND		12C, #6-250MCM Cu/Al

GENERAL NOTES	
1	REFER COVER PAGE / SELECTED OPTION LIST FOR PROJECT SPECIFIC DETAILS

2.5" x 5" **W1**

⚠ DANGER PELIGRO

Arc Flash and Shock Hazard
Will cause severe injury or death. Make sure one live circuit-see diagram. Disconnect all sources of supply before servicing. This equipment must be installed and serviced only by qualified electrical personnel utilizing safe work practices and appropriate Personal Protective Equipment (PPE). Failure to comply may result in injury or death! Refer to NFPA 70E for minimum PPE requirements.

Risque d'Arc Electrique et d'Electrocution
Peut causer des blessures graves ou la mort. Plus d'un circuit sous tension - voir schéma. Coupez toutes les sources d'alimentation avant de faire l'entretien et les réparations. Ce matériel doit être installé et entretenu uniquement par un électricien qualifié. Ce dernier doit connaître les pratiques de travail sécuritaires et porter l'équipement de protection individuelle approprié. Le non respect peut entraîner des blessures ou la mort! Raportez-vous à NFPA 70E pour le manuel des exigences minimales PPE.

Riesgo de Arco y Choque Eléctrico
Se causarán lesiones graves o muerte. Más de un circuito energizado - ver diagrama. Desconecte todas las fuentes de suministro antes de hacer mantenimiento. Este equipo solo se debe instalar y mantener por personal calificado, usando medidas de seguridad y equipo de protección personal adecuados. No seguir estas recomendaciones puede causar lesiones o muerte! Consultar la NFPA 70E para los requisitos mínimos del equipo de protección personal (PPE).

QTY = 1

APPROVED FOR CONSTRUCTION
 MASTER COPY REFERENCE COPY _____ OF _____
 MULTIPLE UNIT WORK ORDER
 RELEASED FOR INFORMATION
 AUTH. BY: _____ DATE: _____

CROSS REFERENCE LEGEND
 50C-C-1
 GRID COORDINATE
 SHEET No.

DRAWING No.	REFERENCE DRAWINGS	No.	REVISIONS	BY	AUTH	DATE



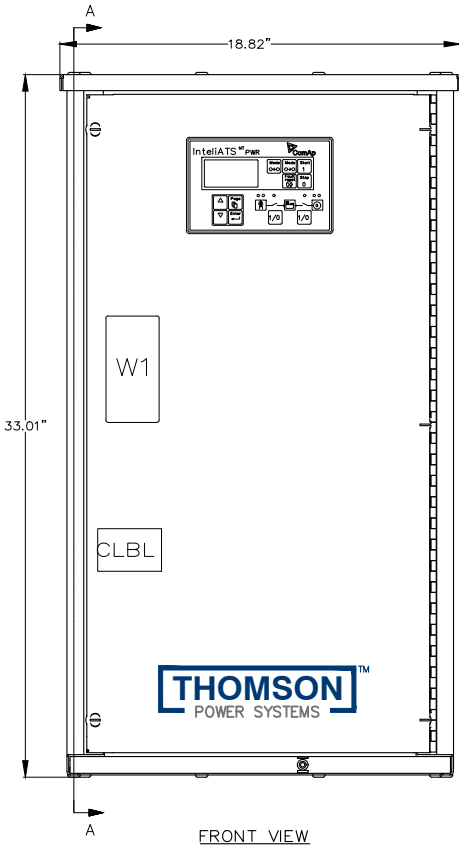
AUTOMATIC TRANSFER SWITCH
 MODEL TS 930
 PHYSICAL LAYOUT & INSTALLATION DETAILS
 800-1250A, 2P/3P, NEMA 1/2/12/3R SD, PCS ATS, DEEPSEA, STD

FOR REVIEW ONLY

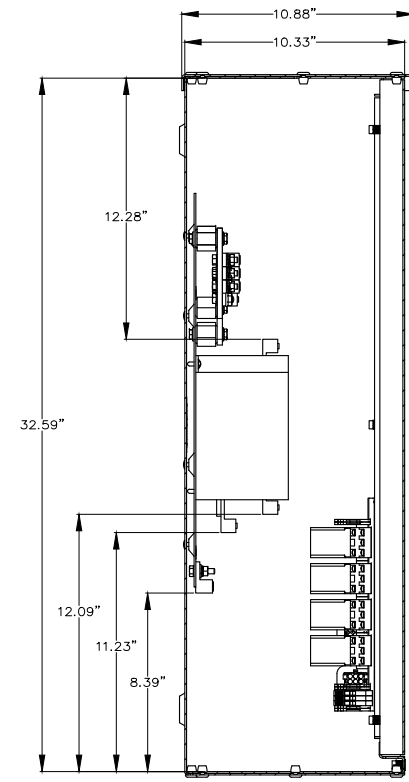
DRAWINGS AND/OR OTHER TECHNICAL INFORMATION SUPPLIED BY THOMSON POWER SYSTEMS AS A PART OF A SALE OF EQUIPMENT ARE FOR THE PURCHASER'S USE SOLELY IN CONJUNCTION WITH THAT EQUIPMENT, UNLESS SPECIFICALLY AGREED TO OTHERWISE AS A PART OF THE TERMS OF SALE.

CUSTOMER THOMSON POWER SYSTEMS			
CUSTOMER ORDER No. C-XXXXXX	WORK ORDER No. W-XXXXXX		
DRAWN BY JK	AUTH BY OG	DATE 18-10-22	REV 0
DRAWING/FILE No. PCS930M206			SHEET 10A

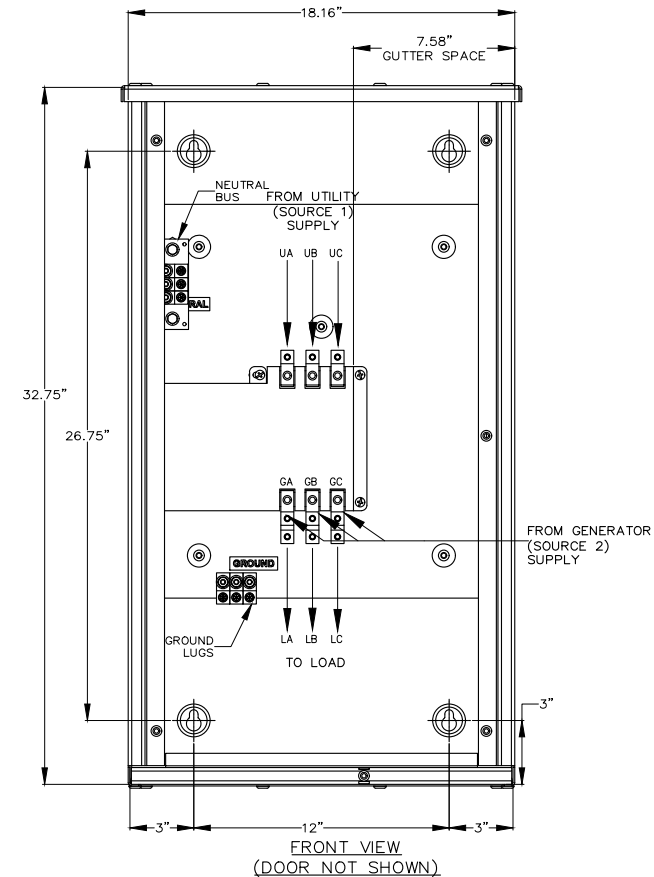
Uncontrolled Copy



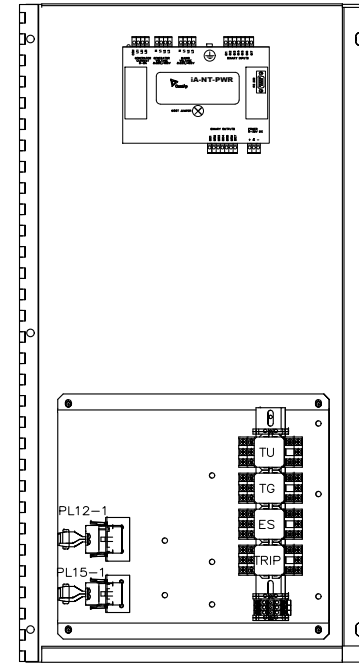
FRONT VIEW



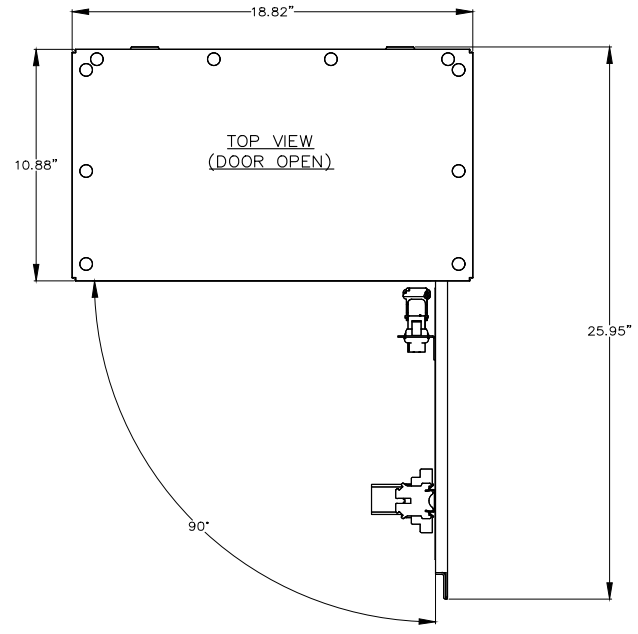
SECTION A-A
SCALE 1 / 4



FRONT VIEW
(DOOR NOT SHOWN)



VIEWED FROM REAR
(INSIDE) OF DOOR



TOP VIEW
(DOOR OPEN)

BASIC MODEL TS93xA	STANDARD ATS		
	MAX. VOLTAGE	RATED CURRENT (A)	④480V
TS 93xA-125	480	125	7650

125A ATS	CONNECTION DATA	
	UTILITY (SRC1)	1C, #14-2/0 Cu/Al PER PHASE
	GENERATOR (SRC2)	1C, #14-2/0 Cu/Al PER PHASE
	LOAD	1C, #14-2/0 Cu/Al PER PHASE
	NEUTRAL	1C, #14-2/0 Cu/Al PER PHASE
GROUND	3C, #14-2/0 Cu/Al	

GENERAL NOTES	
1	REFER COVER PAGE / SELECTED OPTION LIST FOR PROJECT SPECIFIC DETAILS

2.5" x 5"

⚠ DANGER PELIGRO

Arc Flash and Shock Hazard
Will cause severe injury or death. More than one live circuit - see diagram. Disconnect all sources of supply before servicing. This equipment must be installed and serviced only by qualified electrical personnel utilizing safe work practices and appropriate Personal Protective Equipment (PPE). Failure to comply may result in injury or death! Refer to NFPA 70E for minimum PPE requirements.

Risque d'Arc Électrique et d'Électrocution
Peut causer des blessures graves ou la mort. Plus d'un circuit sous tension - voir schéma. Couper toutes les sources d'alimentation avant de faire l'entretien et les réparations. Ce matériel doit être installé et entretenu uniquement par un électricien qualifié. Ce dernier doit connaître les pratiques de travail sécuritaires et porter l'équipement de protection individuelle approprié. Le non respect peut entraîner des blessures ou la mort! Reportez-vous à NFPA 70E pour le manuel des exigences minimales PPE.

Riesgo de Arco y Choque Eléctrico
Se causarían lesiones graves o muerte. Más de un circuito energizado - ver diagrama. Desconectar todas las fuentes de suministro antes de hacer mantenimiento. Este equipo solo se debe instalar y mantener por personal calificado, usando medidas de seguridad y equipo de protección personal adecuado. No seguir estas recomendaciones puede causar lesiones o muerte! Consultar la NFPA 70E para los requisitos mínimos del equipo de protección personal (PPE).

QTY = 1

APPROVED FOR CONSTRUCTION
 MASTER COPY REFERENCE COPY _____ OF _____
 MULTIPLE UNIT WORK ORDER
 RELEASED FOR INFORMATION
 AUTH. BY: _____ DATE: _____

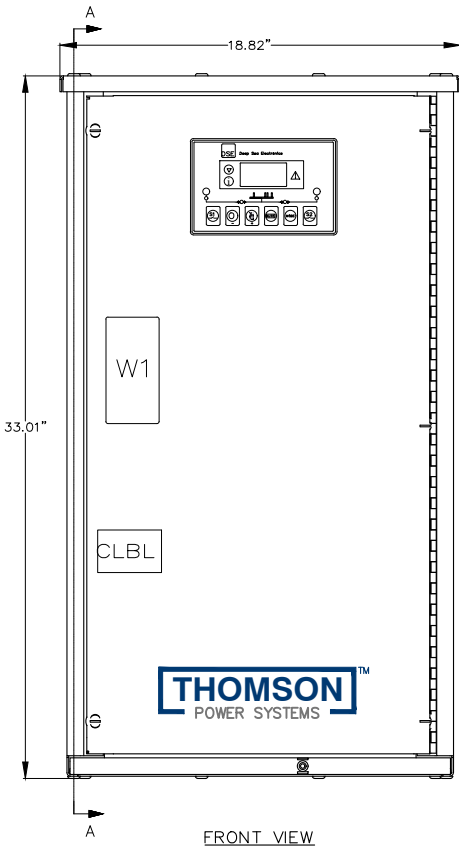
CROSS REFERENCE LEGEND		DRAWING No.	REFERENCE DRAWINGS	No.	REVISIONS	BY	DATE
50C-C-1	GRID COORDINATE						
	SHEET No.						



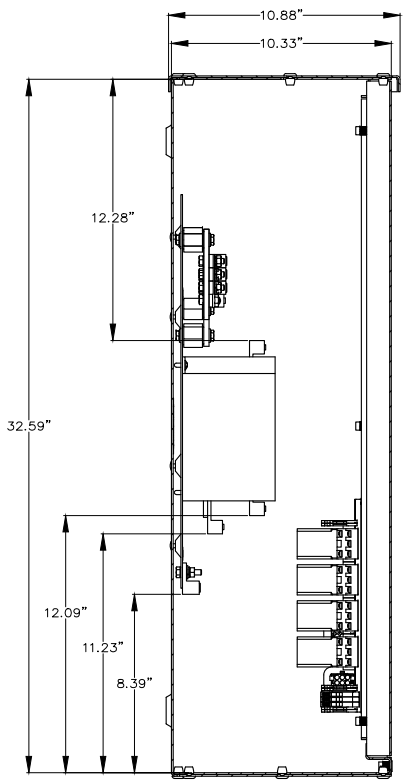
AUTOMATIC TRANSFER SWITCH
 MODEL TS 930
 PHYSICAL LAYOUT & INSTALLATION DETAILS
 125A, 2P/3P, NEMA 1, PCS ATS, COMAP, STD

FOR REVIEW ONLY

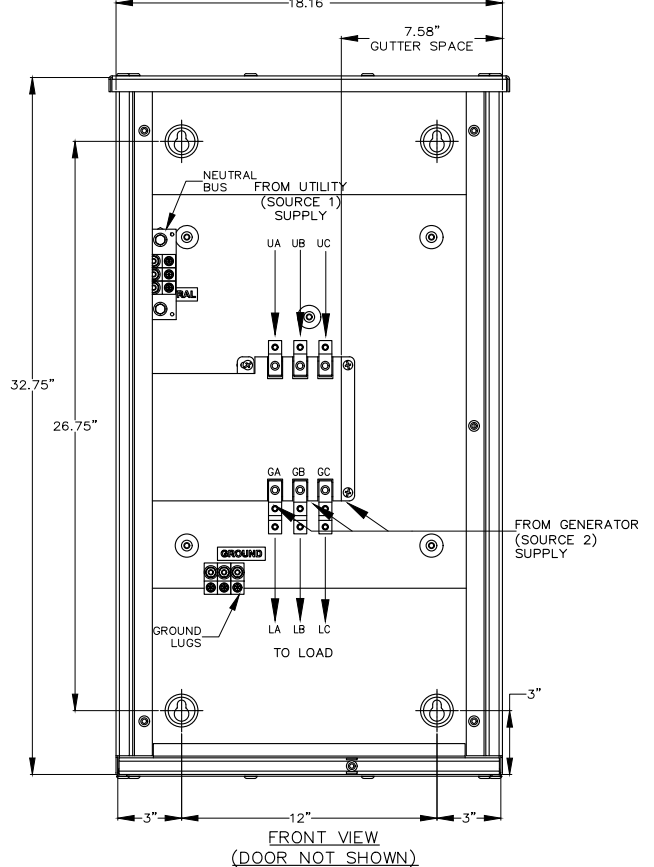
CUSTOMER THOMSON POWER SYSTEMS			
CUSTOMER ORDER No.	WORK ORDER No.		
C-XXXXXX	W-XXXXXX		
DRAWN BY SK	AUTH BY OG	DATE 17-01-27	REV 0
DRAWING/FILE No. PCS930M100	SHEET 10A		



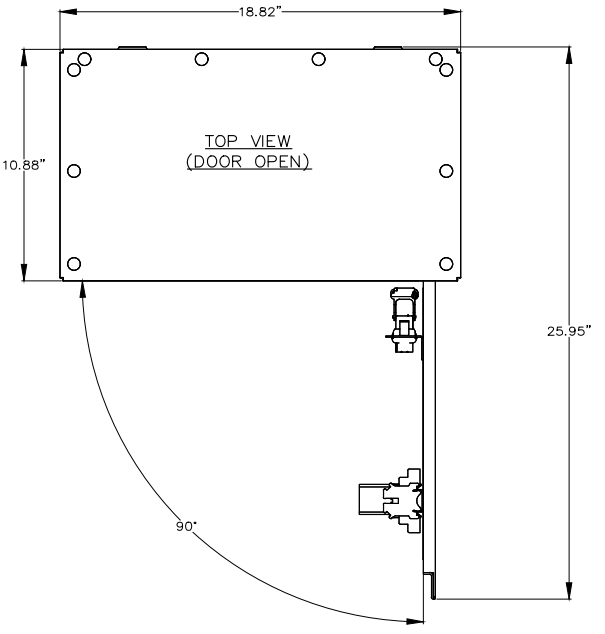
FRONT VIEW



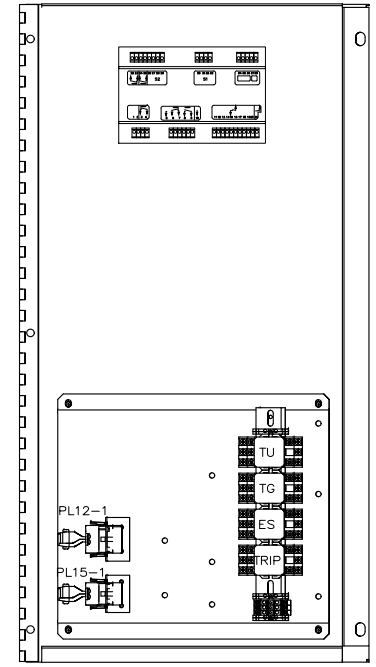
SECTION A-A
SCALE 1 / 4



FRONT VIEW
(DOOR NOT SHOWN)



TOP VIEW
(DOOR OPEN)



VIEWED FROM REAR
(INSIDE) OF DOOR

Uncontrolled Copy

BASIC MODEL TS93xA	STANDARD ATS		
	MAX. VOLTAGE	RATED CURRENT (A)	④480V
TS 93xA-125	480	125	7650

125A ATS	CONNECTION DATA	
	UTILITY (SRC1)	1C, #14-2/0 Cu/Al PER PHASE
	GENERATOR (SRC2)	1C, #14-2/0 Cu/Al PER PHASE
	LOAD	1C, #14-2/0 Cu/Al PER PHASE
	NEUTRAL	1C, #14-2/0 Cu/Al PER PHASE
GROUND	3C, #14-2/0 Cu/Al	

GENERAL NOTES	
1	REFER COVER PAGE / SELECTED OPTION LIST FOR PROJECT SPECIFIC DETAILS

2.5" x 5" w1

⚠ DANGER PELIGRO

Arc Flash and Shock Hazard
Will cause severe injury or death. More than one live circuit see diagram. Disconnect all sources of supply before servicing. This equipment must be installed and serviced only by qualified electrical personnel utilizing safe work practices and appropriate Personal Protective Equipment (PPE). Failure to comply may result in injury or death! Refer to NFPA 70E for minimum PPE requirements.

Risque d'Arc Électrique et d'Électrocution
Peut causer des blessures graves ou la mort. Plus d'un circuit sous tension - voir schéma. Couper toutes les sources d'alimentation avant de faire l'entretien et les réparations. Ce matériel doit être installé et entretenu uniquement par un électricien qualifié. Ce dernier doit connaître les pratiques de travail sécuritaires et porter l'équipement de protection individuelle approprié. Le non respect peut entraîner des blessures ou la mort! Reportez-vous à NFPA 70E pour le manuel des exigences minimales PPE.

Riesgo de Arco y Choque Eléctrico
Se causarán lesiones graves o muerte. Más de un circuito energizado - ver diagrama. Desconectar todas las fuentes de suministro antes de hacer mantenimiento. Este equipo solo se debe instalar y mantener por personal calificado, usando medidas de seguridad y equipo de protección personal adecuado. No seguir estas recomendaciones puede causar lesiones o muerte! Consultar la NFPA 70E para los requisitos mínimos del equipo de protección personal (PPE).

QTY = 1

APPROVED FOR CONSTRUCTION
 MASTER COPY REFERENCE COPY OF _____
 MULTIPLE UNIT WORK ORDER
 RELEASED FOR INFORMATION
 AUTH. BY: _____ DATE: _____

CROSS REFERENCE LEGEND		DRAWING No.	REFERENCE DRAWINGS	No.	REVISIONS	BY	AUTH	DATE
50C-C-1	GRID COORDINATE							
	SHEET No.							



AUTOMATIC TRANSFER SWITCH
 MODEL TS 930
 PHYSICAL LAYOUT & INSTALLATION DETAILS
 125A, 2P/3P, NEMA 1, PCS ATS, DEEPSEA, STD

FOR REVIEW ONLY

DRAWINGS AND OR OTHER TECHNICAL INFORMATION SUPPLIED BY THOMSON POWER SYSTEMS AS A PART OF A SALE OF EQUIPMENT ARE FOR THE PURCHASER'S USE SOLELY IN CONJUNCTION WITH THAT EQUIPMENT, UNLESS SPECIFICALLY AGREED TO OTHERWISE AS A PART OF THE TERMS OF SALE.	
CUSTOMER THOMSON POWER SYSTEMS	
CUSTOMER ORDER No. C-XXXXXX	WORK ORDER No. W-XXXXXX
DRAWN BY SK	AUTH BY OG
DATE 17-01-27	REV 0
DRAWING/FILE No. PCS930M200	SHEET 10A