

BASIC MODEL TS84xA	STANDARD ATS				
	MAX. VOLTAGE	RATED CURRENT (A)	@240V	@480V	@600V
TS 84xA-250	240	250	65,000	N/A	N/A

CONNECTION DATA	
UTILITY (SRC1)	1C, #6-350MCM Cu/Al PER PHASE
GENERATOR (SRC2)	1C, #6-350MCM Cu/Al PER PHASE
LOAD	1C, #6-350MCM Cu/Al PER PHASE
NEUTRAL	1C, #6-350MCM Cu/Al PER SOURCE
GROUND	3C, #14-2/0 Cu/Al

GENERAL NOTES	
1	POWER SWITCHING DEVICES ARE MECHANICALLY INTERLOCKED SO THAT ONLY ONE DEVICE IS CLOSED AT A TIME
2	ENCLOSURE FINISH : ASA #61 GREY
3	FOR 1 PHASE, 3 WIRE SOLID NEUTRAL APPLICATION, CONNECT PHASE TO 'A' & 'B'. OMIT 'C'
4	FOR 1 PHASE, 3 WIRE SWITCHED NEUTRAL APPLICATION, CONNECT PHASE TO 'A' & 'B'. CONNECT NEUTRAL TO 'C'
5	REFER COVER PAGE FOR PROJECT SPECIFIC DETAILS

2.5" x 5"

⚠ DANGER PELIGRO

Arc Flash and Shock Hazard
Will cause severe injury or death. More than one live circuit - see diagram. Disconnect all sources of supply before servicing. This equipment must be installed and serviced only by qualified electrical personnel utilizing safe work practices and appropriate Personal Protective Equipment (PPE). Failure to comply may result in injury or death! Refer to NFPA 70E for minimum PPE requirements.

Risque d'Arc Électrique et d'Électrocution
Peut causer des blessures graves ou la mort. Plus d'un circuit sous tension - voir schéma. Couper toutes les sources d'alimentation avant de faire l'entretien et les réparations. Ce matériel doit être installé et entretenu uniquement par un électricien qualifié. Ce dernier doit connaître les pratiques de travail sécuritaires et porter l'équipement de protection individuelle approprié. Le non respect peut entraîner des blessures ou la mort! Reportez-vous à NFPA 70E pour le manuel des exigences minimales PPE.

Riesgo de Arco y Choque Eléctrico
Se causarán lesiones graves o muerte. Más de un circuito energizado - ver diagrama. Desconectar todas las fuentes de suministro antes de hacer mantenimiento. Este equipo solo se debe instalar y mantener por personal calificado, usando medidas de seguridad y equipo de protección personal adecuado. No seguir estas recomendaciones puede causar lesiones o muerte! Consultar la NFPA 70E para los requisitos mínimos del equipo de protección personal (PPE).

QTY = 1

APPROVED FOR CONSTRUCTION
 MASTER COPY REFERENCE COPY _____ OF _____
 MULTIPLE UNIT WORK ORDER
 RELEASED FOR INFORMATION
 AUTH. BY: _____ DATE: _____

CROSS REFERENCE LEGEND	
50C-C-1	GRID COORDINATE
	SHEET No.
	DRAWING No.
	REFERENCE DRAWINGS
	No.

REVISIONS		BY	DATE
3	GENERAL NOTES AND LOGO UPDATED	AP OG	17-10-24
2	UPGRADED CONTROLLER FROM TSC80 TO TSC9	SK OG	17-06-08
1	POWER CHASSIS ISOLATION PLUG CHANGED TO PL-15	SR OG	16-09-01

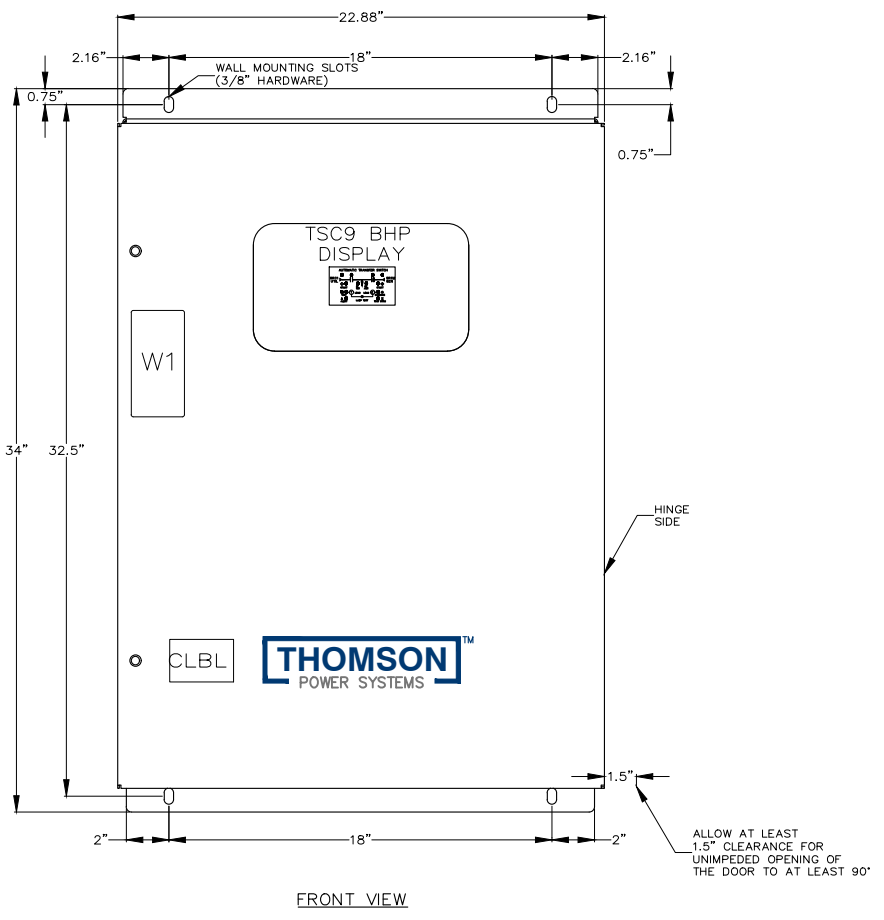


FOR REVIEW ONLY

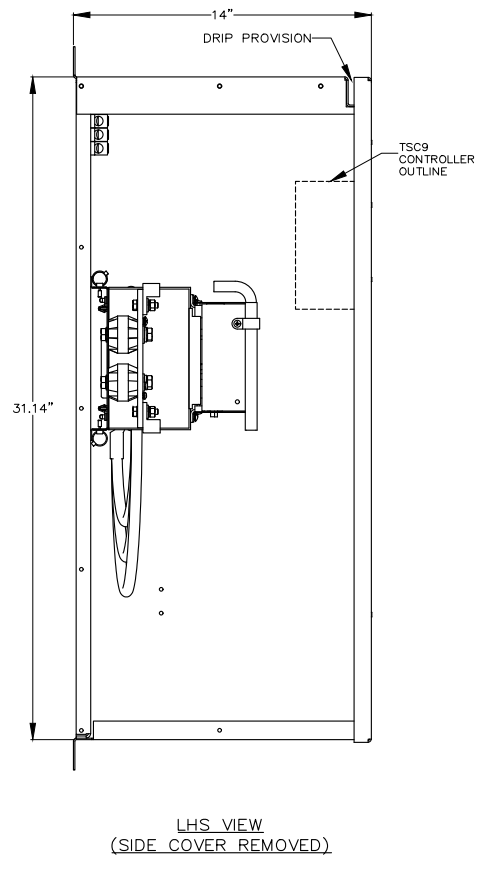
AUTOMATIC TRANSFER SWITCH
 MODEL TS 840
 PHYSICAL LAYOUT & INSTALLATION DETAILS
 250A, 2P/3P, NEMA 3R SD, MCS ATS, STD

CUSTOMER THOMSON POWER SYSTEMS			
CUSTOMER ORDER No.	WORK ORDER No.		
C-XXXXXX	W-XXXXXX		
DRAWN BY	AUTH BY	DATE	REV
SR	OG	16-08-25	3
DRAWING/FILE No.	SHEET		
MCS840M102	10A		

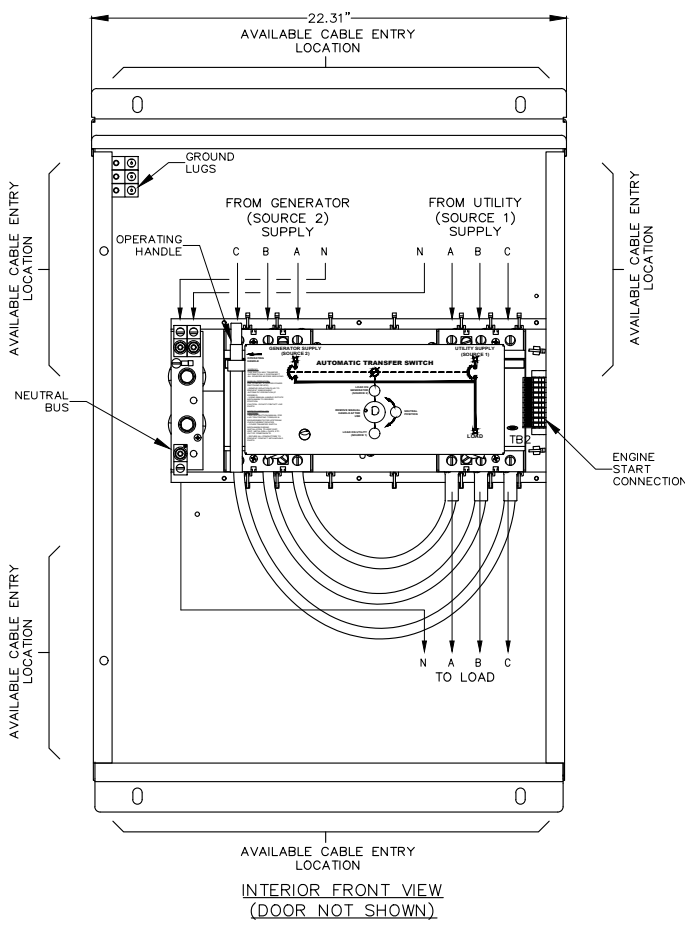
Uncontrolled Copy



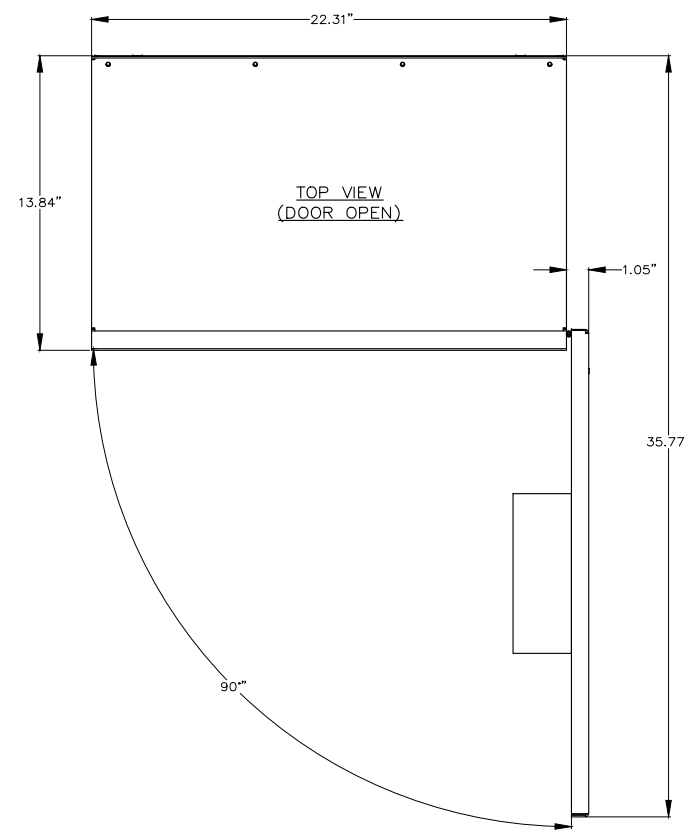
FRONT VIEW



LHS VIEW (SIDE COVER REMOVED)



INTERIOR FRONT VIEW (DOOR NOT SHOWN)



TOP VIEW (DOOR OPEN)

BASIC MODEL TS84xA	STANDARD ATS				
	MAX. VOLTAGE	RATED CURRENT (A)	Ø240V	Ø480V	Ø600V
TS 84xA-100	240	100	65,000	N/A	N/A
TS 84xA-150	240	150	65,000	N/A	N/A
TS 84xA-200	240	200	65,000	N/A	N/A

100A ATS	CONNECTION DATA	
	UTILITY (SRC1)	1C, #14-1/0 Cu/AI PER PHASE
150A ATS	GENERATOR (SRC2)	1C, #14-1/0 Cu/AI PER PHASE
	LOAD	1C, #14-1/0 Cu/AI PER PHASE
	NEUTRAL	1C, #14-2/0 Cu/AI PER SOURCE
	GROUND	3C, #14-2/0 Cu/AI
200A ATS	UTILITY (SRC1)	1C, #2-4/0 Cu/AI PER PHASE
	GENERATOR (SRC2)	1C, #2-4/0 Cu/AI PER PHASE
	LOAD	1C, #2-4/0 Cu/AI PER PHASE
	NEUTRAL	1C, #14-2/0 Cu/AI PER SOURCE
200A ATS	UTILITY (SRC1)	1C, #6-350MCM Cu/AI PER PHASE
	GENERATOR (SRC2)	1C, #6-350MCM Cu/AI PER PHASE
	LOAD	1C, #6-350MCM Cu/AI PER PHASE
	NEUTRAL	1C, #6-350MCM Cu/AI PER SOURCE
200A ATS	GROUND	3C, #14-2/0 Cu/AI

- GENERAL NOTES**
- POWER SWITCHING DEVICES ARE MECHANICALLY INTERLOCKED SO THAT ONLY ONE DEVICE IS CLOSED AT A TIME
 - ENCLOSURE FINISH : ASA #61 GREY
 - FOR 1 PHASE, 3 WIRE SOLID NEUTRAL APPLICATION, CONNECT PHASE TO 'A' & 'B'. OMIT 'C'
 - FOR 1 PHASE, 3 WIRE SWITCHED NEUTRAL APPLICATION, CONNECT PHASE TO 'A' & 'B'. CONNECT NEUTRAL TO 'C'
 - REFER COVER PAGE FOR PROJECT SPECIFIC DETAILS

2.5" x 5"

⚠ DANGER PELIGRO

Arc Flash and Shock Hazard
Will cause severe injury or death. More than one live circuit - see diagram. Disconnect all sources of supply before servicing. This equipment must be installed and serviced only by qualified electrical personnel utilizing safe work practices and appropriate Personal Protective Equipment (PPE). Failure to comply may result in injury or death! Refer to NFPA 70E for minimum PPE requirements.

Risque d'Arc Électrique et d'Électrocution
Peut causer des blessures graves ou la mort. Plus d'un circuit sous tension - voir schéma. Couper toutes les sources d'alimentation avant de faire l'entretien et les réparations. Ce matériel doit être installé et entretenu uniquement par un électricien qualifié. Ce dernier doit connaître les pratiques de travail sécuritaires et porter l'équipement de protection individuelle approprié. Le non respect peut entraîner des blessures ou la mort! Reportez-vous à NFPA 70E pour le manuel des exigences minimales PPE.

Riesgo de Arco y Choque Eléctrico
Se causarían lesiones graves o muerte. Más de un circuito energizado - ver diagrama. Desconectar todas las fuentes de suministro antes de hacer mantenimiento. Este equipo solo se debe instalar y mantener por personal calificado, usando medidas de seguridad y equipo de protección personal adecuados. No seguir estas recomendaciones puede causar lesiones o muerte! Consultar la NFPA 70E para los requisitos mínimos del equipo de protección personal (PPE).

QTY = 1

APPROVED FOR CONSTRUCTION
 MASTER COPY REFERENCE COPY _____ OF _____
 MULTIPLE UNIT WORK ORDER
 RELEASED FOR INFORMATION
 AUTH. BY: _____ DATE: _____

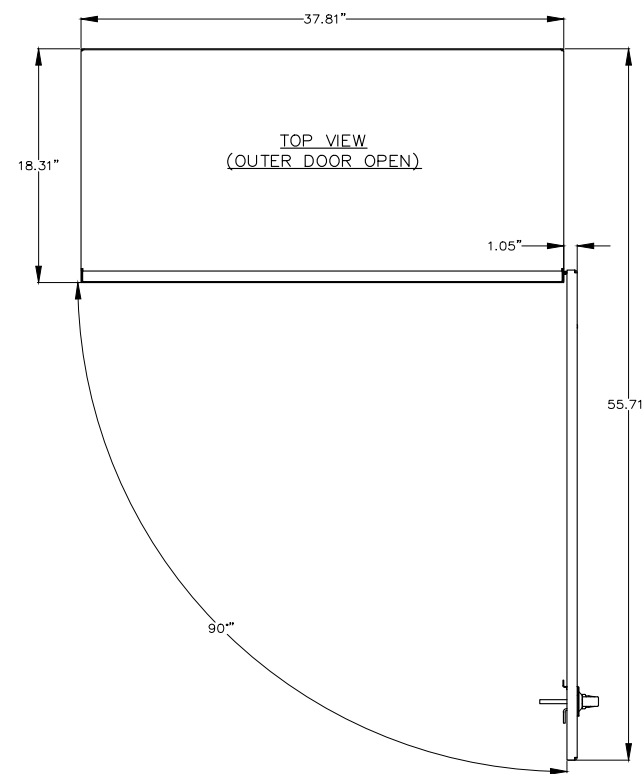
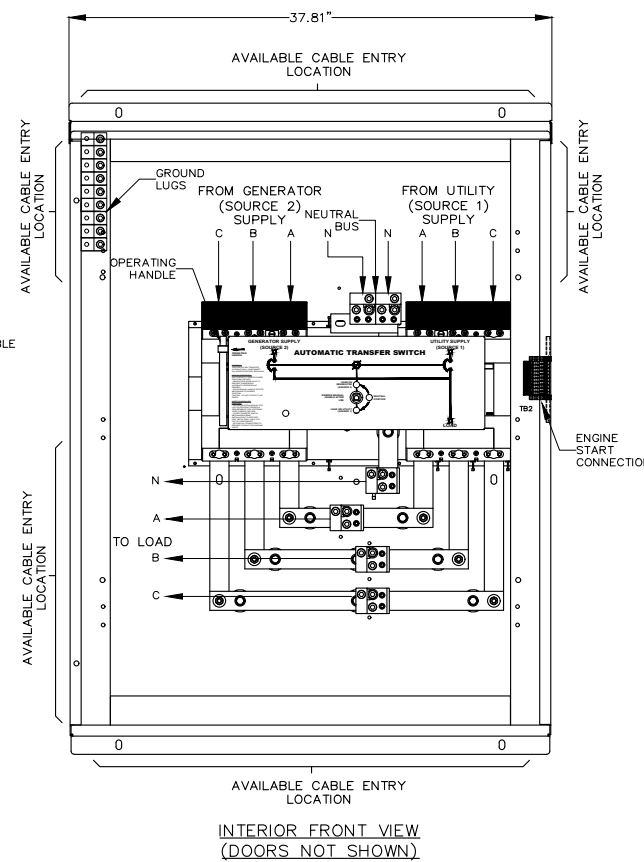
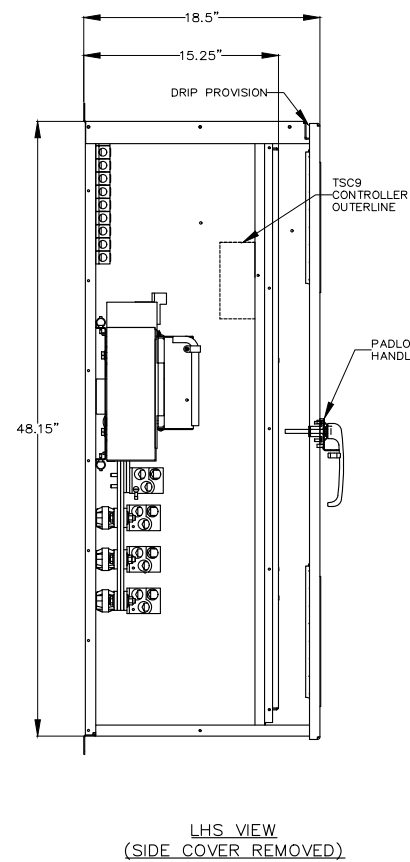
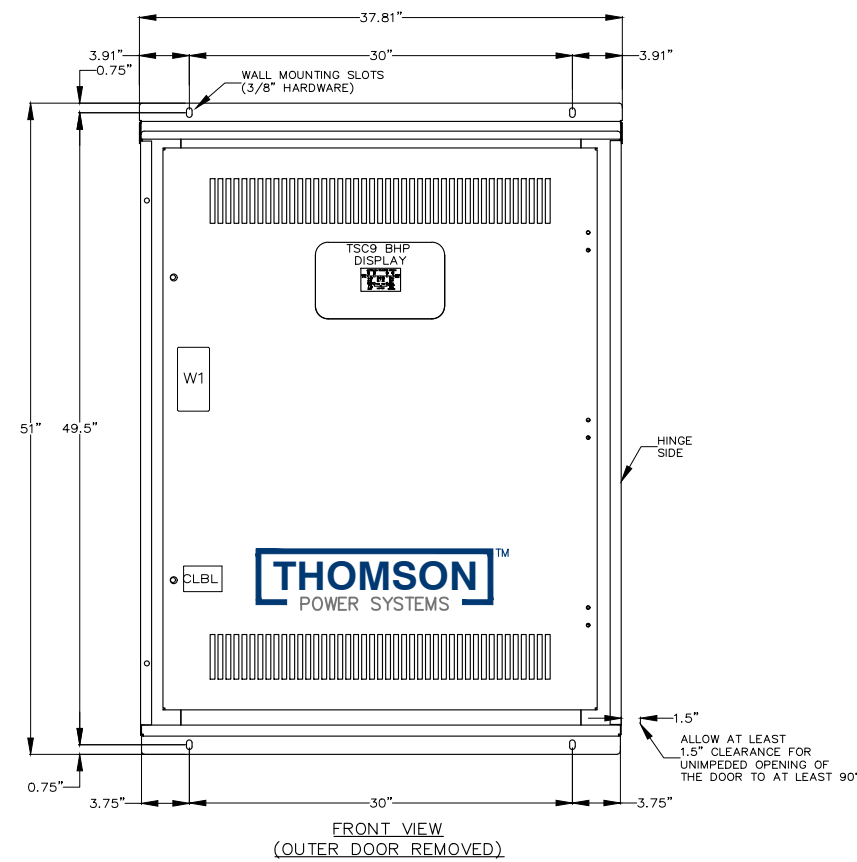
CROSS REFERENCE LEGEND		REVISIONS	
50C-C-1	GRID COORDINATE	3	GENERAL NOTES AND LOGO UPDATED AP OG 17-10-24
	SHEET No.	2	UPGRADED CONTROLLER FROM TSC80 TO TSC9 SK OG 17-06-08
	DRAWING No.	1	POWER CHASSIS ISOLATION PLUG CHANGED TO PL-15 SR OG 16-09-01
	REFERENCE DRAWINGS		BY AUTH DATE



AUTOMATIC TRANSFER SWITCH
 MODEL TS 840
 PHYSICAL LAYOUT & INSTALLATION DETAILS
 100-200A, 2P/3P, NEMA 3R SD, MCS ATS, STD

FOR REVIEW ONLY

DRAWINGS AND/OR OTHER TECHNICAL INFORMATION SUPPLIED BY THOMSON POWER SYSTEMS AS A PART OF A SALE OF EQUIPMENT ARE FOR THE PURCHASER'S USE SOLELY IN CONJUNCTION WITH THAT EQUIPMENT, UNLESS SPECIFICALLY AGREED TO OTHERWISE AS A PART OF THE TERMS OF SALE.			
CUSTOMER THOMSON POWER SYSTEMS		WORK ORDER No. W-XXXXXX	
CUSTOMER ORDER No. C-XXXXXX	AUTH BY SR	DATE 16-08-25	REV 3
DRAWING/FILE No. MCS840M100	SHEET 10A		



BASIC MODEL TS84xA	STANDARD ATS				
	MAX. VOLTAGE	RATED CURRENT (A)	Ø240V	Ø480V	Ø600V
TS 84xA-800	240	800	65,000	N/A	N/A

800A ATS	CONNECTION DATA	
	UTILITY (SRC1)	GENERATOR (SRC2)
LOAD	1-3C, 2/0-500MCM Cu/Al PER PHASE	1-3C, 2/0-500MCM Cu/Al PER PHASE
NEUTRAL	1-3C, 2/0-500MCM Cu/Al PER SOURCE	
GROUND	9C, #6-250MCM Cu/Al	

- GENERAL NOTES**
- POWER SWITCHING DEVICES ARE MECHANICALLY INTERLOCKED SO THAT ONLY ONE DEVICE IS CLOSED AT A TIME
 - ENCLOSURE FINISH : ASA #61 GREY
 - FOR 1 PHASE, 3 WIRE SOLID NEUTRAL APPLICATION, CONNECT PHASE TO 'A' & 'B'. OMIT 'C'
 - FOR 1 PHASE, 3 WIRE SWITCHED NEUTRAL APPLICATION, CONNECT PHASE TO 'A' & 'B'. CONNECT NEUTRAL TO 'C'
 - REFER COVER PAGE FOR PROJECT SPECIFIC DETAILS

2.5" x 5"

⚠ DANGER PELIGRO

Arc Flash and Shock Hazard
Will cause severe injury or death. More than one live circuit diagram. Disconnect all sources of supply before servicing. This equipment must be installed and serviced only by qualified electrical personnel utilizing safe work practices and appropriate Personal Protective Equipment (PPE). Failure to comply may result in injury or death! Refer to NFPA 70E for minimum PPE requirements.

Risque d'Arc Electrique et d'Electrocution
Peut causer des blessures graves ou la mort. Plus d'un circuit sous tension - voir schéma. Couper toutes les sources d'alimentation avant de faire l'entretien et les réparations. Ce matériel doit être installé et entretenu uniquement par un électricien qualifié. Ce dernier doit connaître les pratiques de travail sécuritaires et porter l'équipement de protection individuelle approprié. Le non respect mai entraîner des blessures ou la mort! Reportez-vous à NFPA 70E pour le manuel des exigences minimales PPE.

Riesgo de Arco y Choque Eléctrico
Se causarán lesiones graves o muerte. Más de un circuito energizado - ver diagrama. Desconectar todas las fuentes de suministro antes de hacer mantenimiento. Este equipo solo se debe instalar y mantener por personal calificado, usando medidas de seguridad y equipo de protección personal adecuados. No seguir estas recomendaciones puede causar lesiones o muerte! Consultar la NFPA 70E para los requisitos mínimos del equipo de protección personal (PPE).

QTY = 1

APPROVED FOR CONSTRUCTION
 MASTER COPY REFERENCE COPY OF _____
 MULTIPLE UNIT WORK ORDER
 RELEASED FOR INFORMATION
 AUTH. BY: _____ DATE: _____

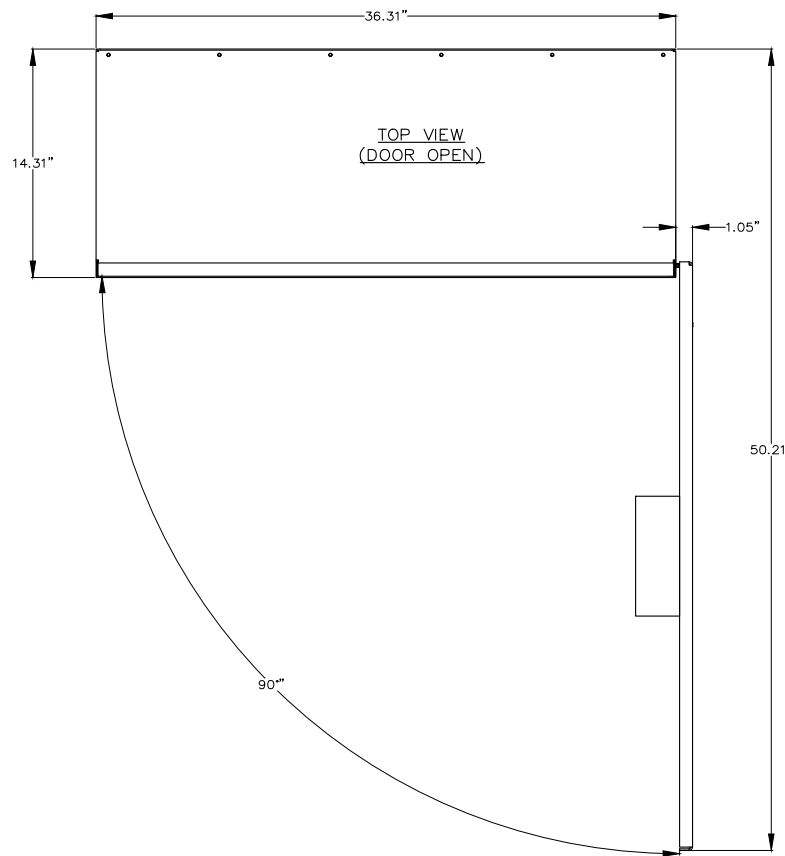
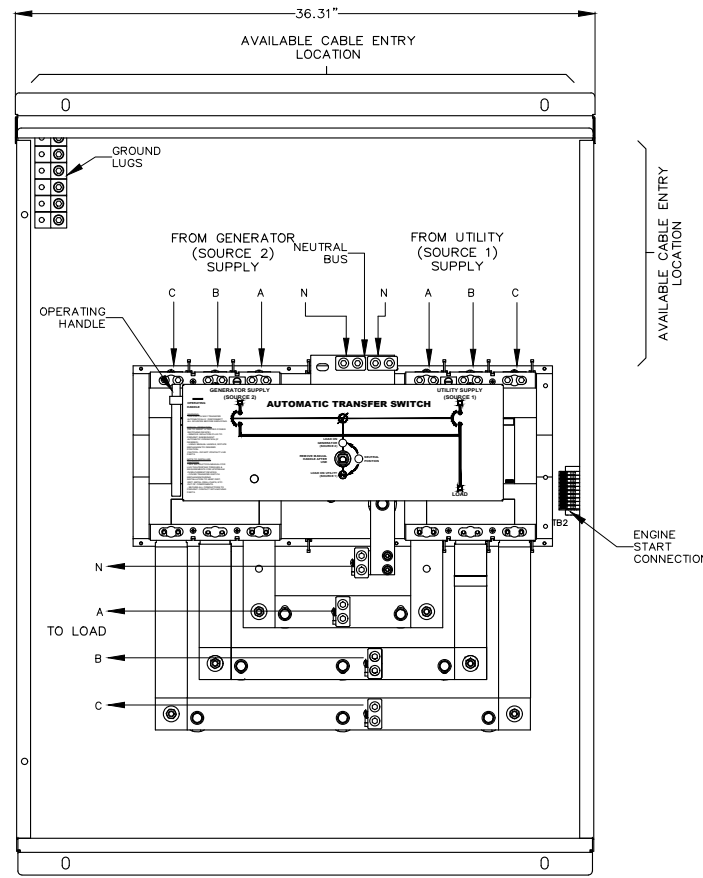
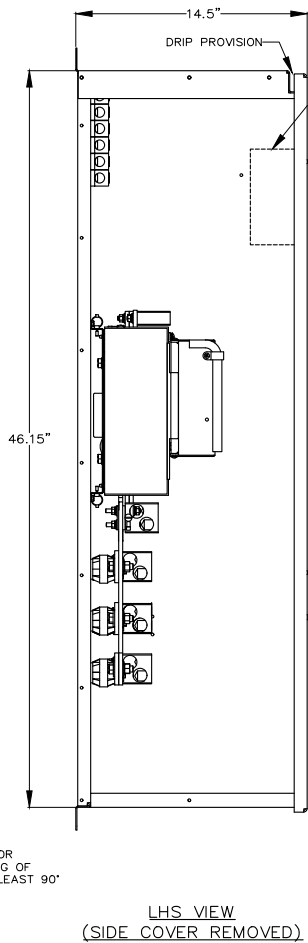
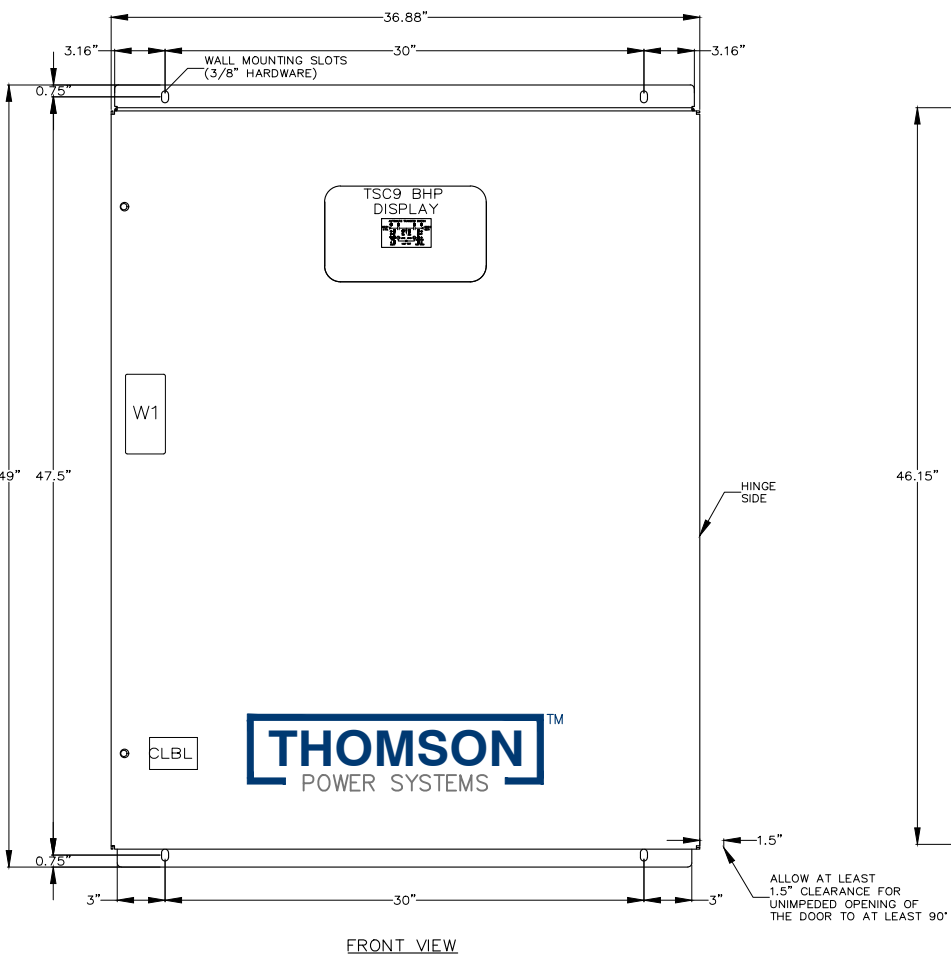
CROSS REFERENCE LEGEND	
50C-C-1	GRID COORDINATE
	SHEET No.
DRAWING No.	REFERENCE DRAWINGS

No.	REVISIONS	BY	DATE
3	GENERAL NOTES AND LOGO UPDATED	AP	17-10-24
2	UPGRADED CONTROLLER FROM TSC80 TO TSC9	SK	17-06-08
1	POWER CHASSIS ISOLATION PLUG CHANGED TO PL-15	SR	16-09-01



**AUTOMATIC TRANSFER SWITCH
 MODEL TS 840
 PHYSICAL LAYOUT & INSTALLATION DETAILS
 800A, 2P/3P, NEMA 3R DD, MCS ATS, STD**

DRAWINGS AND/OR OTHER TECHNICAL INFORMATION SUPPLIED BY THOMSON POWER SYSTEMS AS A PART OF A SALE OF EQUIPMENT ARE FOR THE PURCHASER'S USE SOLELY IN CONJUNCTION WITH THAT EQUIPMENT, UNLESS SPECIFICALLY AGREED TO OTHERWISE AS A PART OF THE TERMS OF SALE.			
CUSTOMER THOMSON POWER SYSTEMS			
CUSTOMER ORDER No. C-XXXXXX	WORK ORDER No. W-XXXXXX		
DRAWN BY SR	AUTH BY OG	DATE 16-08-25	REV 3
DRAWING/FILE No. MCS840M106		SHEET 10A	



BASIC MODEL TS84xA	STANDARD ATS				
	MAX. VOLTAGE	RATED CURRENT (A)	Ø240V	Ø480V	Ø600V
TS 84xA-600	240	600	65,000	N/A	N/A

CONNECTION DATA	
UTILITY (SRC1)	1-2C, 2/0-500MCM Cu/Al PER PHASE
GENERATOR (SRC2)	1-2C, 2/0-500MCM Cu/Al PER PHASE
LOAD	1-2C, 2/0-500MCM Cu/Al PER PHASE
NEUTRAL	1-2C, 2/0-500MCM Cu/Al PER SOURCE
GROUND	6C, #6-250MCM Cu/Al

GENERAL NOTES	
1	POWER SWITCHING DEVICES ARE MECHANICALLY INTERLOCKED SO THAT ONLY ONE DEVICE IS CLOSED AT A TIME
2	ENCLOSURE FINISH : ASA #61 GREY
3	FOR 1 PHASE, 3 WIRE SOLID NEUTRAL APPLICATION, CONNECT PHASE TO 'A' & 'B'. OMIT 'C'
4	FOR 1 PHASE, 3 WIRE SWITCHED NEUTRAL APPLICATION, CONNECT PHASE TO 'A' & 'B'. CONNECT NEUTRAL TO 'C'
5	REFER COVER PAGE FOR PROJECT SPECIFIC DETAILS

2.5" x 5"

⚠ DANGER PELIGRO

Arc Flash and Shock Hazard
Will cause severe injury or death. More than one live circuit - see diagram. Disconnect all sources of supply before servicing. This equipment must be installed and serviced only by qualified electrical personnel utilizing safe work practices and appropriate Personal Protective Equipment (PPE). Failure to comply may result in injury or death! Refer to NFPA 70E for minimum PPE requirements.

Risque d'Arc Electrique et d'Electrocution
Peut causer des blessures graves ou la mort. Plus d'un circuit sous tension - voir schéma. Couper toutes les sources d'alimentation avant de faire l'entretien et les réparations. Ce matériel doit être installé et entretenu uniquement par un électricien qualifié. Ce dernier doit connaître les pratiques de travail sécuritaires et porter l'équipement de protection individuelle approprié. Le non respect peut entraîner des blessures ou la mort! Reportez-vous à NFPA 70E pour le manuel des exigences minimales PPE.

Riesgo de Arco y Choque Eléctrico
Se causarán lesiones graves o muerte. Más de un circuito energizado - ver diagrama. Desconectar todas las fuentes de suministro antes de hacer mantenimiento. Este equipo solo se debe instalar y mantener por personal calificado, usando medidas de seguridad y equipo de protección personal adecuados. No seguir estas recomendaciones puede causar lesiones o muerte! Consultar la NFPA 70E para los requisitos mínimos del equipo de protección personal (PPE).

QTY = 1

APPROVED FOR CONSTRUCTION
 MASTER COPY REFERENCE COPY _____ OF _____
 MULTIPLE UNIT WORK ORDER
 RELEASED FOR INFORMATION
 AUTH. BY: _____ DATE: _____

CROSS REFERENCE LEGEND	
50C-C-1	GRID COORDINATE
	SHEET No.

NO.	REVISIONS	BY	DATE
3	GENERAL NOTES AND LOGO UPDATED	AP	OG 17-10-24
2	UPGRADED CONTROLLER FROM TSC80 TO TSC9	SK	OG 17-06-08
1	POWER CHASSIS ISOLATION PLUG CHANGED TO PL-15	SR	OG 16-09-01

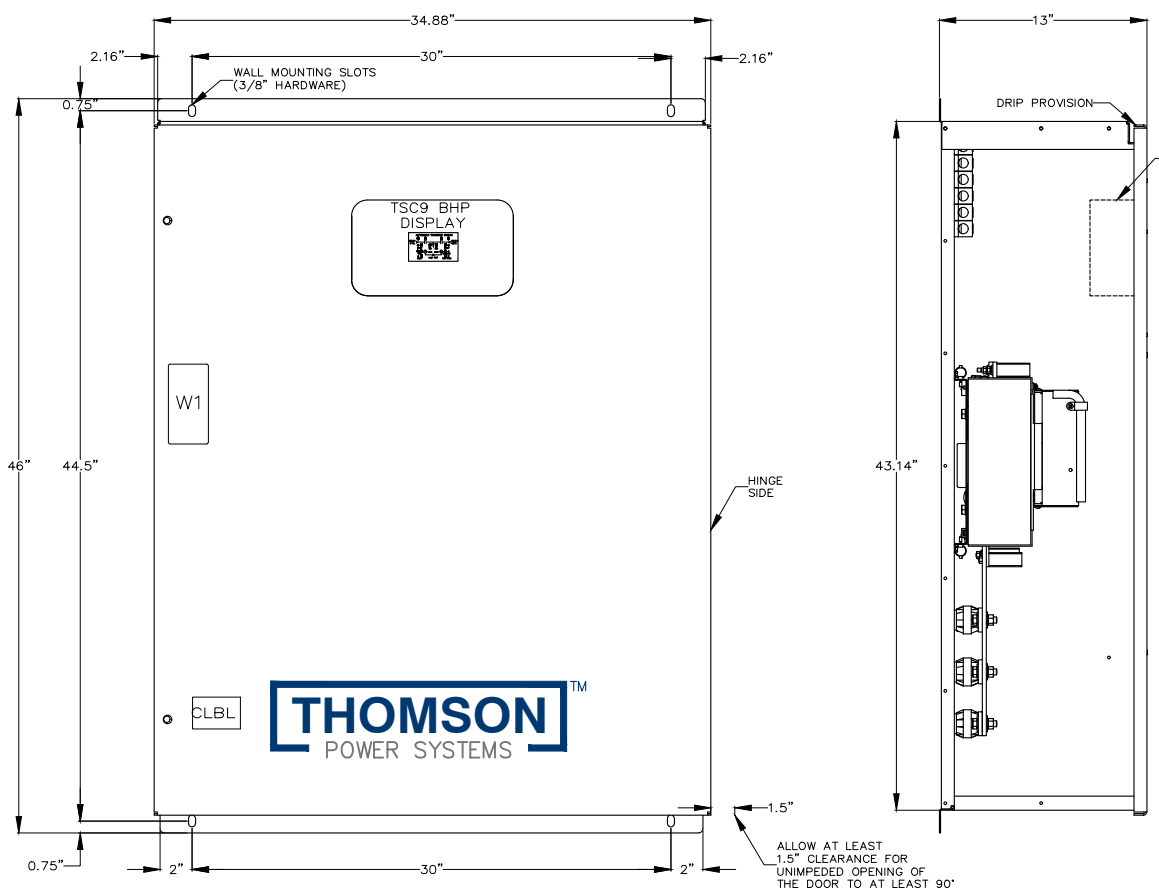


AUTOMATIC TRANSFER SWITCH MODEL TS 840
PHYSICAL LAYOUT & INSTALLATION DETAILS
 600A, 2P/3P, NEMA 3R SD, MCS ATS, STD

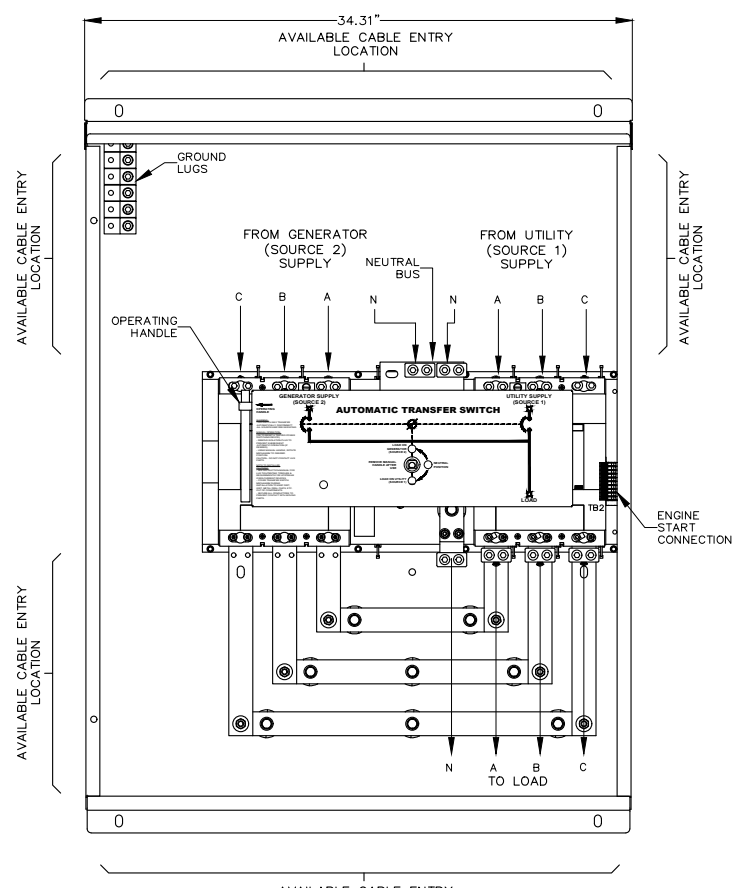
FOR REVIEW ONLY

DRAWINGS AND/OR OTHER TECHNICAL INFORMATION SUPPLIED BY THOMSON POWER SYSTEMS AS A PART OF A SALE OF EQUIPMENT ARE FOR THE PURCHASER'S USE SOLELY IN CONJUNCTION WITH THAT EQUIPMENT, UNLESS SPECIFICALLY AGREED TO OTHERWISE AS A PART OF THE TERMS OF SALE.			
CUSTOMER ORDER No. C-XXXXXX		WORK ORDER No. W-XXXXXX	
DRAWN BY SR	AUTH BY OG	DATE 16-08-25	REV 3
DRAWING/FILE No. MCS840M105		SHEET 10A	

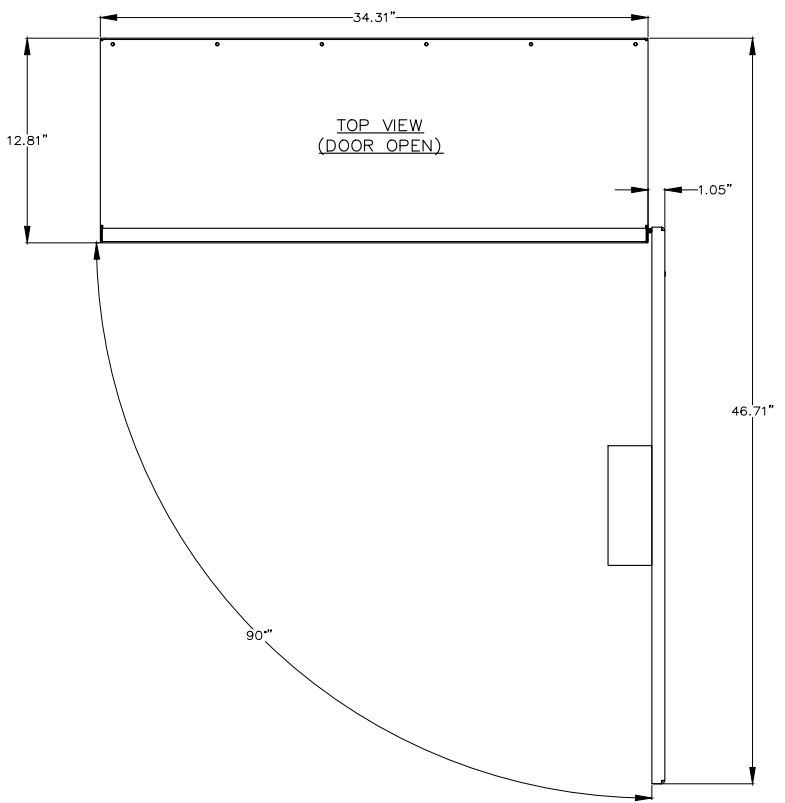
Uncontrolled Copy



FRONT VIEW
LHS VIEW (SIDE COVER REMOVED)



INTERIOR FRONT VIEW (DOOR NOT SHOWN)



TOP VIEW (DOOR OPEN)

BASIC MODEL TS84xA	STANDARD ATS				
	MAX. VOLTAGE	RATED CURRENT (A)	Ø240V	Ø480V	Ø600V
TS 84xA-400	240	400	65,000	N/A	N/A

400A ATS	CONNECTION DATA	
	UTILITY (SRC1)	GENERATOR (SRC2)
LOAD	1-2C, 2/0-500MCM Cu/Al PER PHASE	1-2C, 2/0-500MCM Cu/Al PER PHASE
NEUTRAL	1-2C, 2/0-500MCM Cu/Al PER PHASE	1-2C, 2/0-500MCM Cu/Al PER PHASE
GROUND	6C, #6-250MCM Cu/Al	

- GENERAL NOTES**
- POWER SWITCHING DEVICES ARE MECHANICALLY INTERLOCKED SO THAT ONLY ONE DEVICE IS CLOSED AT A TIME
 - ENCLOSURE FINISH : ASA #61 GREY
 - FOR 1 PHASE, 3 WIRE SOLID NEUTRAL APPLICATION, CONNECT PHASE TO 'A' & 'B'. OMIT 'C'
 - FOR 1 PHASE, 3 WIRE SWITCHED NEUTRAL APPLICATION, CONNECT PHASE TO 'A' & 'B'. CONNECT NEUTRAL TO 'C'
 - REFER COVER PAGE FOR PROJECT SPECIFIC DETAILS

2.5" x 5"

⚠ DANGER PELIGRO

Arc Flash and Shock Hazard
Will cause severe injury or death. More than one live circuit - see diagram. Disconnect all sources of supply before servicing. This equipment must be installed and serviced only by qualified electrical personnel utilizing safe work practices and appropriate Personal Protective Equipment (PPE). Failure to comply may result in injury or death! Refer to NFPA 70E for minimum PPE requirements.

Risque d'Arc Electrique et d'Electrocution
Peut causer des blessures graves ou la mort. Plus d'un circuit sous tension - voir schéma. Couper toutes les sources d'alimentation avant de faire l'entretien et les réparations. Ce matériel doit être installé et entretenu uniquement par un électricien qualifié. Ce dernier doit connaître les pratiques de travail sécuritaires et porter l'équipement de protection individuelle approprié. Le non respect peut entraîner des blessures ou la mort! Reportez-vous à NFPA 70E pour le manuel des exigences minimales PPE.

Riesgo de Arco y Choque Eléctrico
Se causarán lesiones graves o muerte. Más de un circuito energizado - ver diagrama. Desconectar todas las fuentes de suministro antes de hacer mantenimiento. Este equipo solo se debe instalar y mantener por personal calificado, usando medidas de seguridad y equipo de protección personal adecuados. No seguir estas recomendaciones puede causar lesiones o muerte! Consulte la NFPA 70E para los requisitos mínimos del equipo de protección personal (PPE).

QTY = 1

APPROVED FOR CONSTRUCTION
 MASTER COPY REFERENCE COPY OF _____
 MULTIPLE UNIT WORK ORDER
 RELEASED FOR INFORMATION
 AUTH. BY: _____ DATE: _____

CROSS REFERENCE LEGEND	
50C-C-1	GRID COORDINATE
	SHEET No.
DRAWING No.	REFERENCE DRAWINGS No.

REVISIONS	BY	DATE
3 GENERAL NOTES AND LOGO UPDATED	AP OG	17-10-24
2 UPGRADED CONTROLLER FROM TSC80 TO TSC9	SK OG	17-06-08
1 POWER CHASSIS ISOLATION PLUG CHANGED TO PL-15	SR OG	16-09-01



AUTOMATIC TRANSFER SWITCH
 MODEL TS 840
 PHYSICAL LAYOUT & INSTALLATION DETAILS
 400A, 2P/3P, NEMA 3R SD, MCS ATS, STD

DRAWINGS AND/OR OTHER TECHNICAL INFORMATION SUPPLIED BY THOMSON POWER SYSTEMS AS A PART OF A SALE OF EQUIPMENT ARE FOR THE PURCHASER'S USE SOLELY IN CONJUNCTION WITH THAT EQUIPMENT, UNLESS SPECIFICALLY AGREED TO OTHERWISE AS A PART OF THE TERMS OF SALE.			
CUSTOMER THOMSON POWER SYSTEMS		WORK ORDER No. W-XXXXXX	
CUSTOMER ORDER No. C-XXXXXX	DRAWN BY SR	AUTH BY OG	DATE 16-08-25
DRAWING/FILE No. MCS840M104		SHEET 10A	