

2.5" x 5"

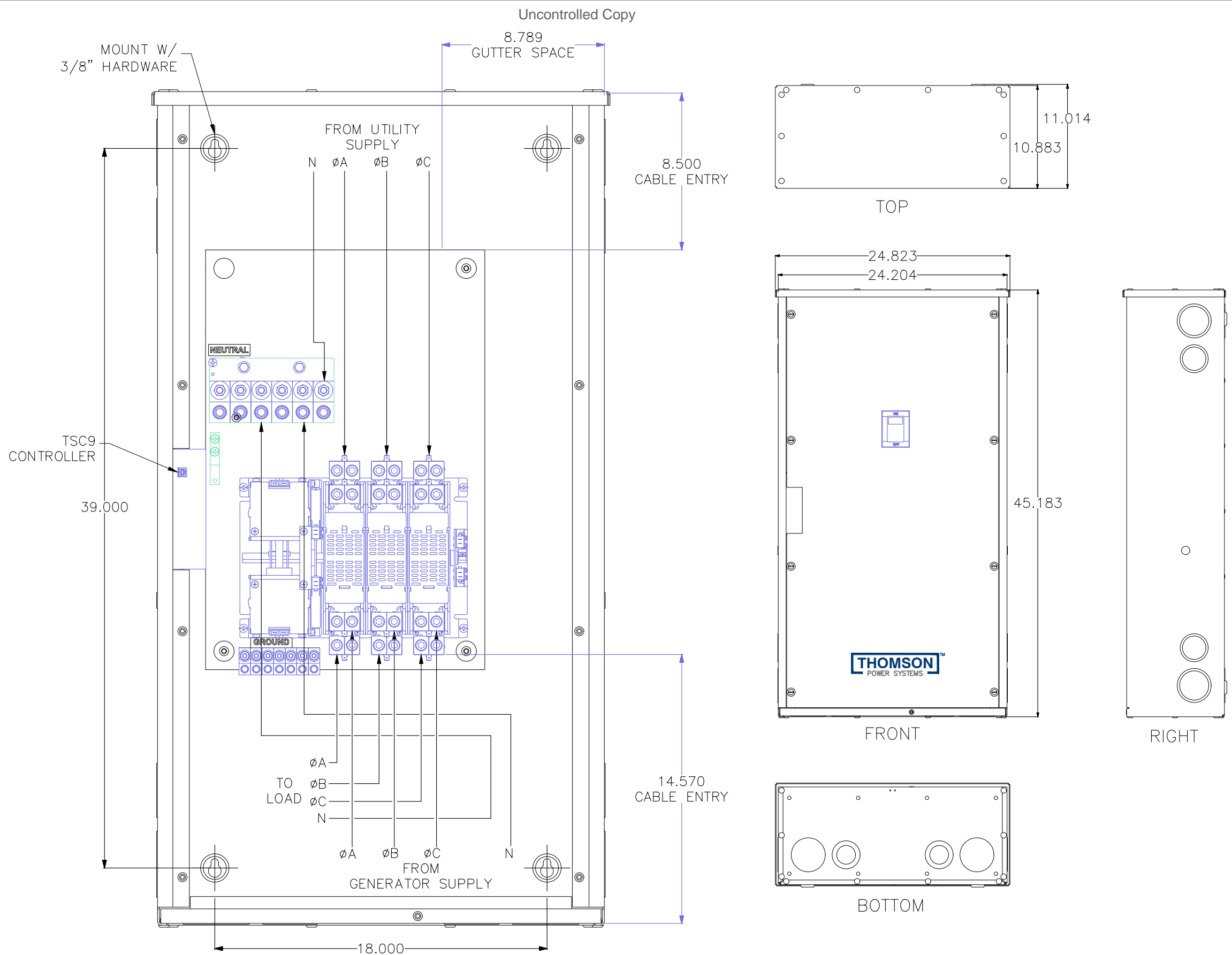
⚠ DANGER
⚠ PELIGRO

Arc Flash and Shock Hazard

Risque d'Arc Electrique et d'Electrocution

Riesgo de Arco y Choque Eléctrico

- NOTES:
- 1) STANDARD CONFIGURATION SHOWN
 - 2) BOTTOM & SIDE CABLE ACCESS, MAX 2c x250MCM
 - 3) TOP CABLE ACCESS, MAX 2c x3/0
 - 4) CONDUIT KNOCKOUTS; 1.5", 2.5", 3"



TRANSFER SWITCH OPTIONS

ENCLOSURE TYPE

NEMA 1

NEMA 3R

ENCLOSURE MATERIAL

ALUMINUM

APPLICATION

STANDARD

SERVICE ENTRANCE

SIZE (AMPS)

400A

2 POLE

3 POLE

SOLID NEUTRAL

⚠ POWER SWITCHING DEVICES ARE MECHANICALLY INTERLOCKED SO THAT ONLY ONE DEVICE IS CLOSED AT A TIME.

⚠ FOR TRANSFER SWITCH OPTIONS SEE SCHEMATIC DIAGRAM.

CONNECTION DATA

400A ATS:

UTILITY: 2C #6-250MCM Cu/Al PER PHASE

GEN: 2C #6-250MCM Cu/Al PER PHASE

LOAD: 2C #6-250MCM Cu/Al PER PHASE

NEUTRAL 2C #6-250MCM Cu/Al PER SOURCE

GROUND: 2C #14-2/0 Cu/Al.

SPECIAL REQUIREMENTS

APPROVED FOR CONSTRUCTION. DRAWINGS SUBJECT TO CHANGE WITHOUT NOTICE.

DRAWINGS AND/OR OTHER TECHNICAL INFORMATION SUPPLIED BY THOMSON POWER SYSTEMS AS A PART OF A SALE OF EQUIPMENT ARE FOR THE PURCHASER'S USE SOLELY IN CONJUNCTION WITH THAT EQUIPMENT, UNLESS SPECIFICALLY AGREED TO OTHERWISE AS A PART OF THE TERMS OF SALE.

APPROVED FOR CONSTRUCTION

MASTER COPY REFERENCE COPY _____ OF _____

MULTIPLE UNIT WORK ORDER

RELEASED FOR INFORMATION

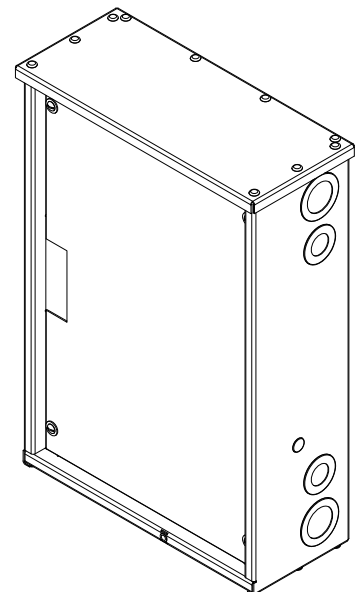
AUTH. BY: OG DATE: 12-10-03

DRAWING No.	REFERENCE DRAWINGS	REVISIONS	BY	AUTH	DATE
2		GENERAL NOTES AND LOGO UPDATED	AP	OG	17-10-24
1		LOGO CHANGED	SR	OG	16-06-07

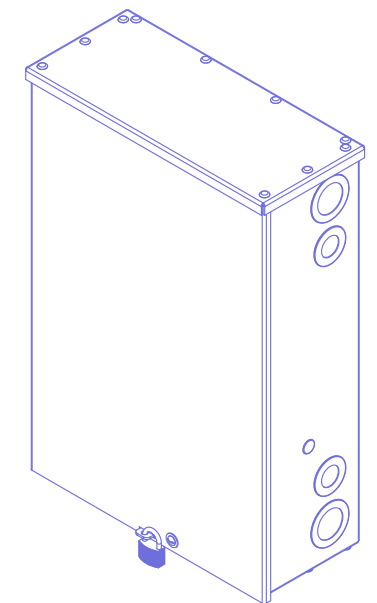


AUTOMATIC TRANSFER SWITCH
MODEL TS 910
PHYSICAL LAYOUT & INSTALLATION DETAILS
400A, 2P/3P, NEMA 1 SD / 3R DD, PCS ATS, STD

CUSTOMER	
CUSTOMER ORDER No.	WORK ORDER No.
DRAWN BY TL	AUTH BY OG
DATE 12-10-03	REV 2
DRAWING/FILE No. 910M007	SHEET 1/1



NEMA 1



W/ NEMA3R OPTION

2.5" x 5"

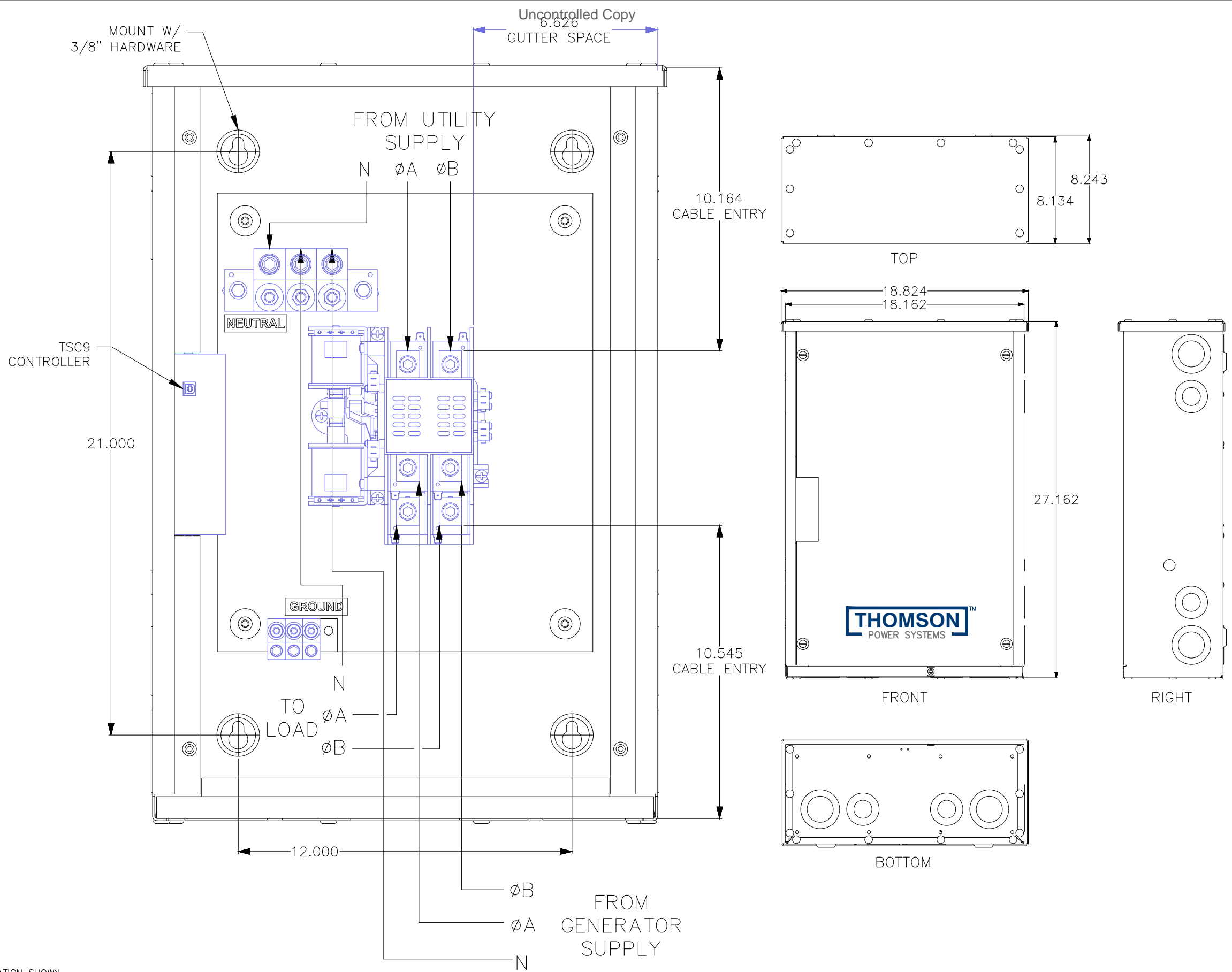
⚠ DANGER
⚠ PELIGRO

Arc Flash and Shock Hazard

Risque d'Arc Electrique et d'Electrocution

Riesgo de Arco y Choque Eléctrico

- NOTES:
- 1) STANDARD CONFIGURATION SHOWN
 - 2) BOTTOM & SIDE CABLE ACCESS, MAX 250MCM
 - 3) TOP CABLE ACCESS, MAX 3/0
 - 4) CONDUIT KNOCKOUTS; 1", 1.5", 2", 2.5"



TRANSFER SWITCH OPTIONS

- ENCLOSURE TYPE
- NEMA 1
 - NEMA 3R

- ENCLOSURE MATERIAL
- ALUMINUM

- APPLICATION
- STANDARD

- SIZE (AMPS)
- 200A

- 2 POLE

- SOLID NEUTRAL

⚠ POWER SWITCHING DEVICES ARE MECHANICALLY INTERLOCKED SO THAT ONLY ONE DEVICE IS CLOSED AT A TIME.

⚠ FOR TRANSFER SWITCH OPTIONS SEE SCHEMATIC DIAGRAM.

CONNECTION DATA

200A ATS:

UTILITY: 1C #6-250MCM Cu/Al PER PHASE

GEN: 1C #6-250MCM Cu/Al PER PHASE

LOAD: 1C #6-250MCM Cu/Al PER PHASE

NEUTRAL 1C #6-250MCM Cu/Al PER SOURCE

GROUND: 1C #14-2/0 Cu/Al.

SPECIAL REQUIREMENTS

APPROVED FOR CONSTRUCTION.
DRAWINGS SUBJECT TO CHANGE WITHOUT NOTICE.

DRAWINGS AND/OR OTHER TECHNICAL INFORMATION SUPPLIED BY THOMSON POWER SYSTEMS AS A PART OF A SALE OF EQUIPMENT ARE FOR THE PURCHASER'S USE SOLELY IN CONJUNCTION WITH THAT EQUIPMENT, UNLESS SPECIFICALLY AGREED TO OTHERWISE AS A PART OF THE TERMS OF SALE.

APPROVED FOR CONSTRUCTION

MASTER COPY REFERENCE COPY _____ OF _____

MULTIPLE UNIT WORK ORDER

RELEASED FOR INFORMATION

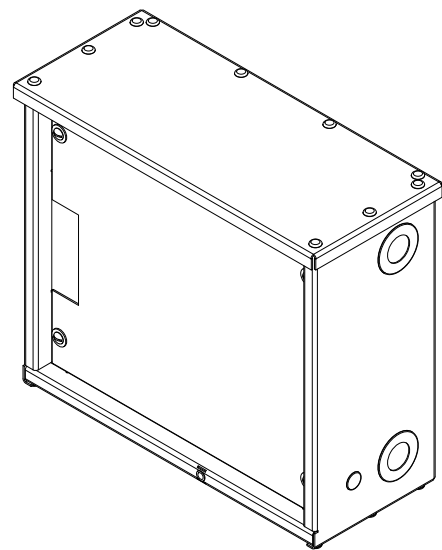
AUTH. BY: OG DATE: 12-10-03

DRAWING No.	REFERENCE DRAWINGS	No.	REVISIONS	BY	AUTH	DATE
		2	GENERAL NOTES AND LOGO UPDATED	AP	OG	17-10-24
		1	LOGO CHANGED	SR	OG	16-06-07

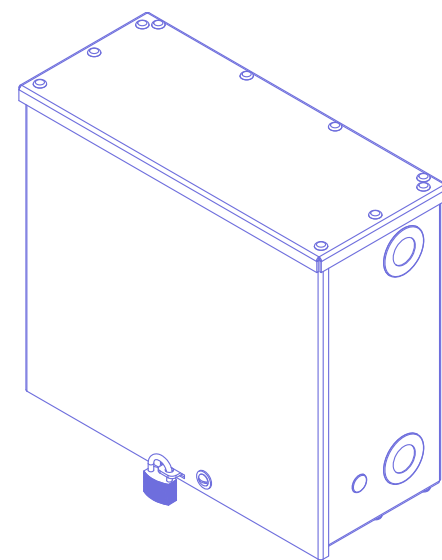


AUTOMATIC TRANSFER SWITCH
MODEL TS 910
PHYSICAL LAYOUT & INSTALLATION DETAILS
200A, 2P, NEMA 1 SD / 3R DD, PCS ATS, STD

CUSTOMER		CUSTOMER ORDER No.	WORK ORDER No.
DRAWN BY	AUTH BY	DATE	REV
TL	OG	12-10-03	2
DRAWING/FILE No. 910M003			SHEET 1/1



NEMA 1



W/ NEMA3R OPTION

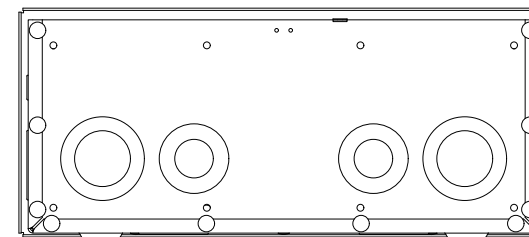
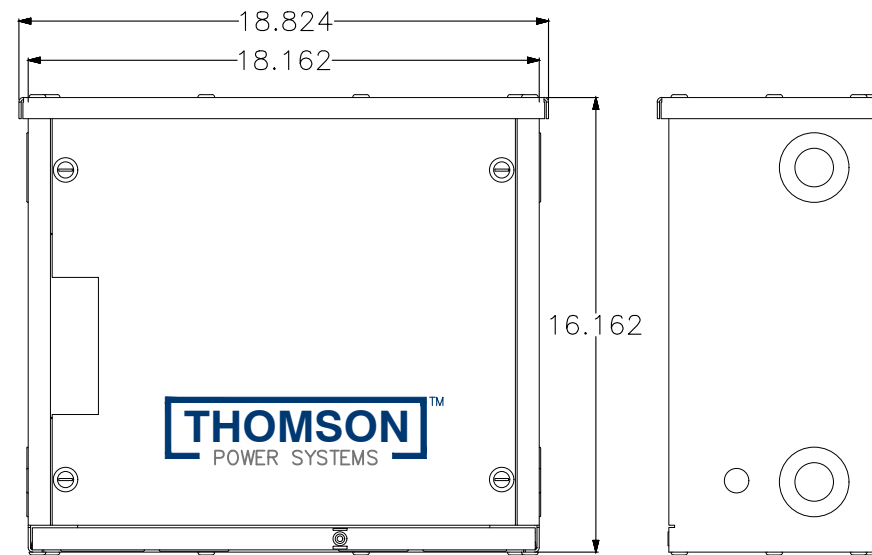
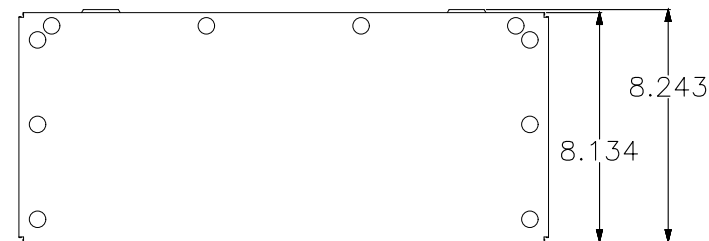
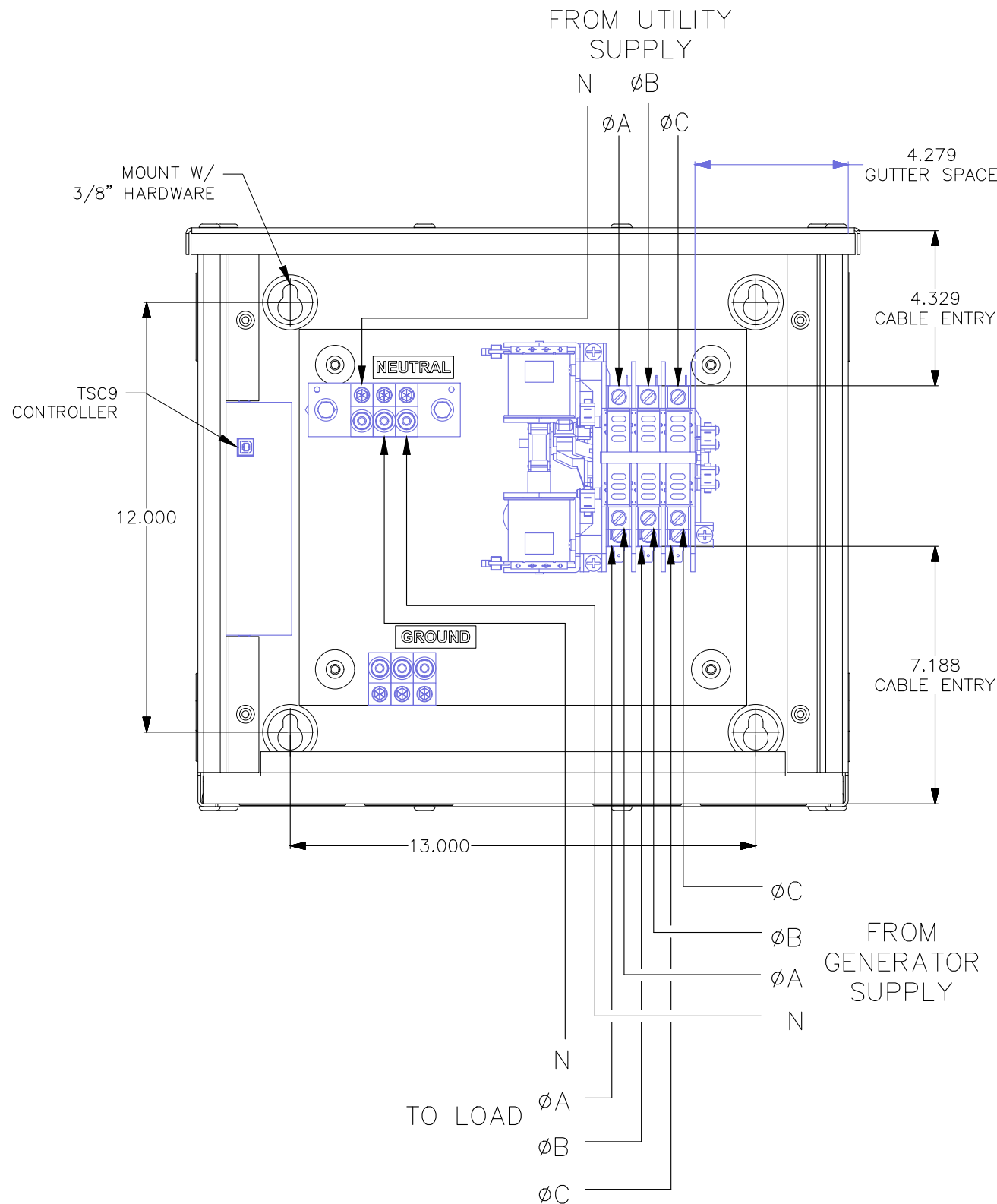
2.5" x 5" w1

⚠ DANGER PELIGRO

Arc Flash and Shock Hazard

Risque d'Arc Electrique et d'Electrocution

Riesgo de Arco y Choque Eléctrico



TRANSFER SWITCH OPTIONS

ENCLOSURE TYPE

- NEMA 1
- NEMA 3R

ENCLOSURE MATERIAL

- ALUMINUM

APPLICATION

- STANDARD

SIZE (AMPS)

- 100A

- 2 POLE
- 3 POLE
- SOLID NEUTRAL

▽ POWER SWITCHING DEVICES ARE MECHANICALLY INTERLOCKED SO THAT ONLY ONE DEVICE IS CLOSED AT A TIME.

∇ FOR TRANSFER SWITCH OPTIONS SEE SCHEMATIC DIAGRAM.

CONNECTION DATA

100A ATS:
 UTILITY: 1C #14-1/0 Cu/Al PER PHASE
 GEN: 1C #14-1/0 Cu/Al PER PHASE
 LOAD: 1C #14-1/0 Cu/Al PER PHASE
 NEUTRAL 1C #14-2/0 Cu/Al PER SOURCE
 GROUND: 1C #14-2/0 Cu/Al.

SPECIAL REQUIREMENTS

APPROVED FOR CONSTRUCTION. DRAWINGS SUBJECT TO CHANGE WITHOUT NOTICE.

DRAWINGS AND/OR OTHER TECHNICAL INFORMATION SUPPLIED BY THOMSON POWER SYSTEMS AS A PART OF A SALE OF EQUIPMENT ARE FOR THE PURCHASER'S USE SOLELY IN CONJUNCTION WITH THAT EQUIPMENT, UNLESS SPECIFICALLY AGREED TO OTHERWISE AS A PART OF THE TERMS OF SALE.

APPROVED FOR CONSTRUCTION

MASTER COPY REFERENCE COPY _____ OF _____

MULTIPLE UNIT WORK ORDER

RELEASED FOR INFORMATION

AUTH. BY: OG DATE: 12-10-03

NO.	REVISIONS	BY	AUTH	DATE
2	GENERAL NOTES AND LOGO UPDATED	AP	OG	17-10-24
1	LOGO CHANGED	SR	OG	16-06-07



AUTOMATIC TRANSFER SWITCH
 MODEL TS 910
 PHYSICAL LAYOUT & INSTALLATION DETAILS
 100A, 2P/3P, NEMA 1 SD / 3R DD, PCS ATS, STD

CUSTOMER	
CUSTOMER ORDER No.	WORK ORDER No.
DRAWN BY TL	AUTH BY OG
DATE 12-10-03	REV 2
DRAWING/FILE No. 910M001	SHEET 1/1