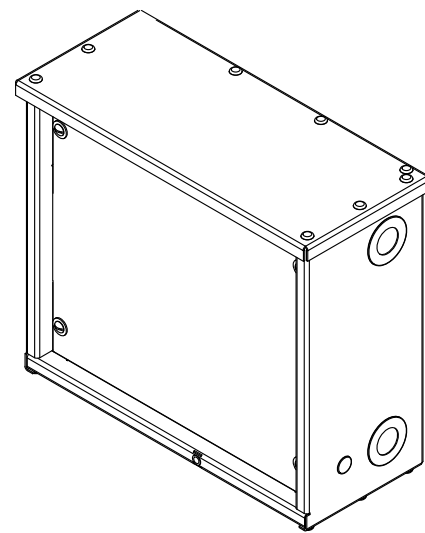
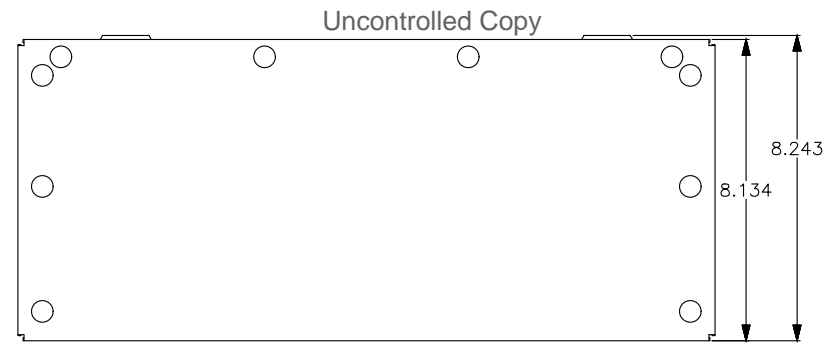


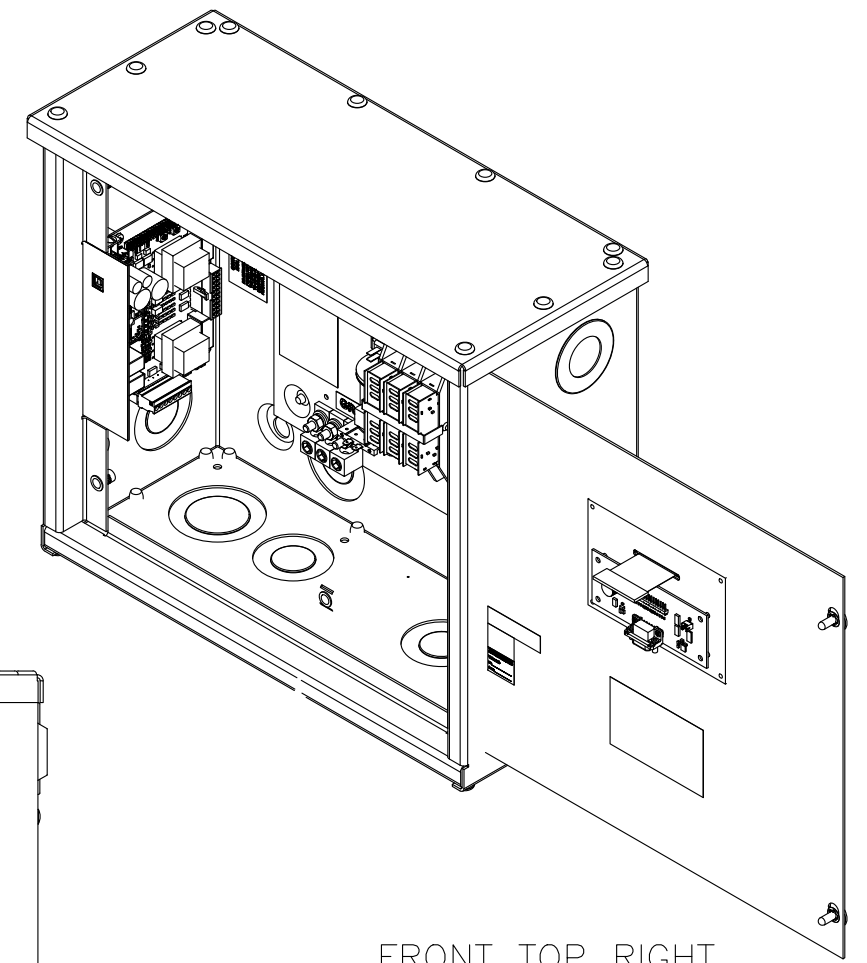
W/ NEMA3R OPTION



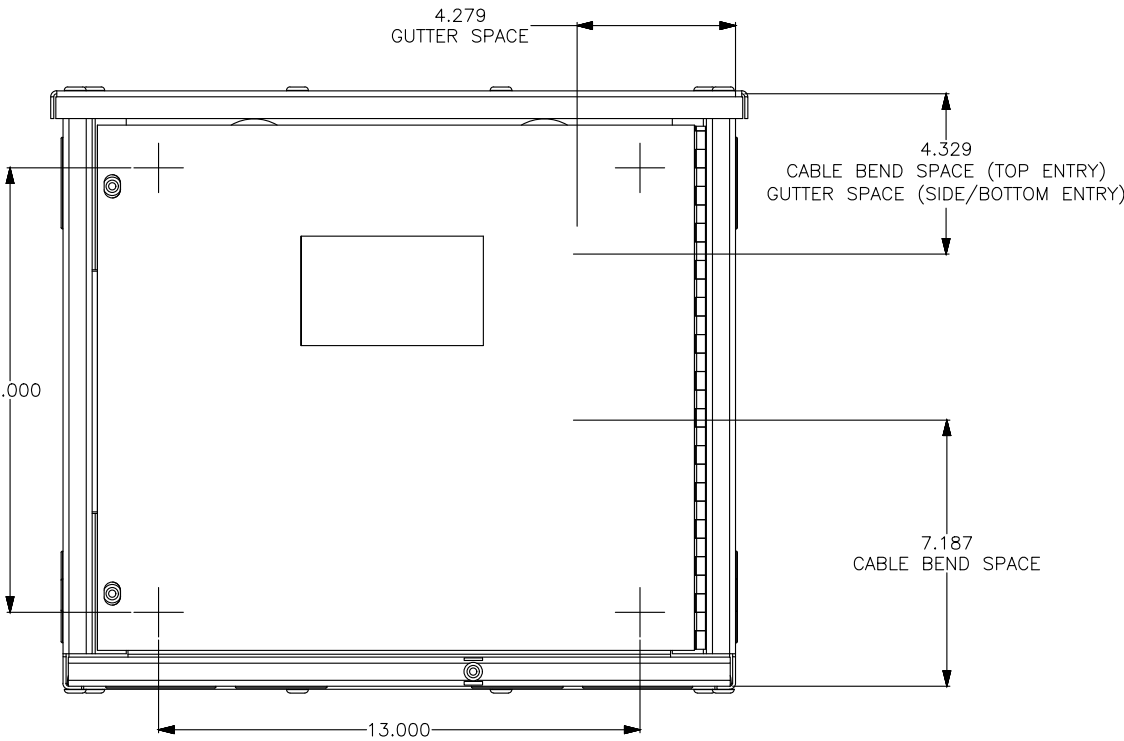
NEMA 1



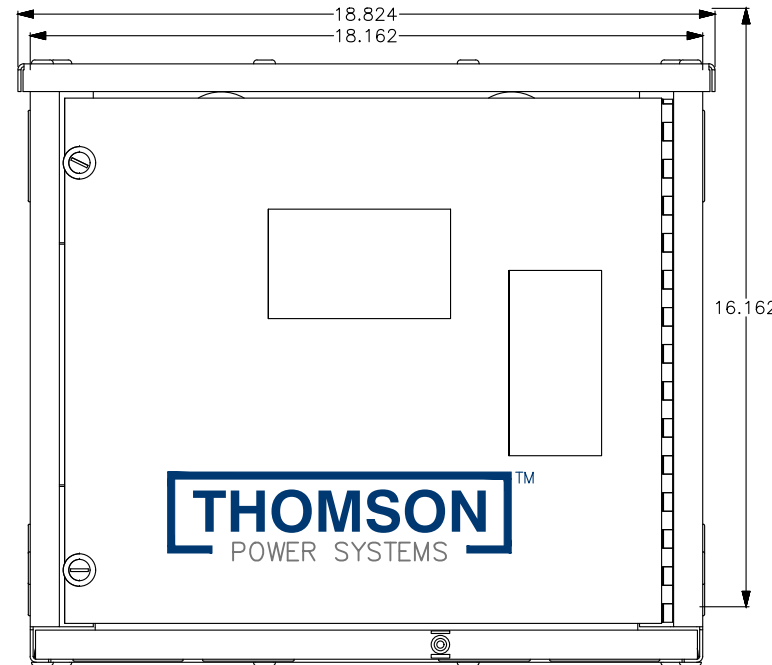
TOP



FRONT TOP RIGHT



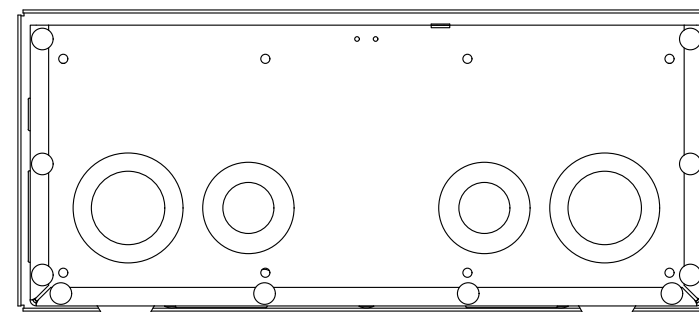
FRONT
NO DOOR



FRONT



RIGHT



BOTTOM

- NOTES:
 1) BOTTOM & SIDE CABLE ACCESS, MAX 4/0
 2) TOP CABLE ACCESS, MAX #3
 3) ELECTRICAL KNOCKOUTS FOR 1" & 2" CONDUIT

Parts List				
ITEM	QTY	PID	PART NUMB	DESCRIPTION
1	1		013E012	BACK PAN ASSEMBLY, 100A, 3P
2	1		209A002	CONTROLLER, TSC9, TS910
4	6	001114	0161626	SCREW, MACH, COMBO, RDH, PLT #8-32X1/4"
5	2	001130		SCREW, MACH, COMBO, TRH, 1/4"-20 X 3/4",
6	2	001155		NUT, PUSH ON-RETAINER, 1/4"
8	6	002088	1133708	WASHER, INTERNAL-TOOTH-LOCK, PLT #8
9	2	002101		WASHER, FLAT, NYLON 7/8"ODX0.257IDX1/16"
10	1	007132		DANGER ARC HAZARD LABEL
11	1	008171		LABEL, MADE IN MEXICO
12	1	008380		CONTROL ISOLATION INSTRUCTION LABEL
13	1	008384		PERFORMANCE/QUALITY VERIFIED LABEL
14	1	010812	003A050	ENCLOSURE, 100A, TS910
16	5	011003		RIVET, BLIND, 0.1875x0.377, AL-AL
17	1	011028		NAME PLATE, TS910, HOME GUARD
20	1	011088		UL CERT, TS910, HOME GUARD
34	1		020J022	
35	1		BHP	DESCRIPTION
37	1	012164	024E041	LABEL, MARATHON THOMSON POWER SYSTEM, 10"

APPROVED FOR CONSTRUCTION
 MASTER COPY REFERENCE COPY _____ OF _____
 MULTIPLE UNIT WORK ORDER
 RELEASED FOR INFORMATION
 AUTH. BY: _____ DATE: _____

DIMENSIONS IN INCHES, []=MILLIMETERS
 CAD GENERATED DRAWING, DO NOT CHANGE MANUALLY.
 THIRD ANGLE PROJECTION:

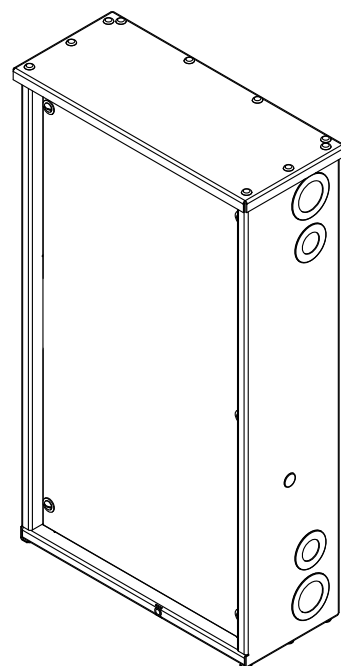
 DO NOT SCALE DRAWING
 REFER TO DRAWING #099E001 FOR TOLERANCES

2	GENERAL NOTES AND LOGO UPDATED	17-10-24	PKN
1	REMOVED PACKAGING FROM MODEL, SCN822	12-11-15	TL

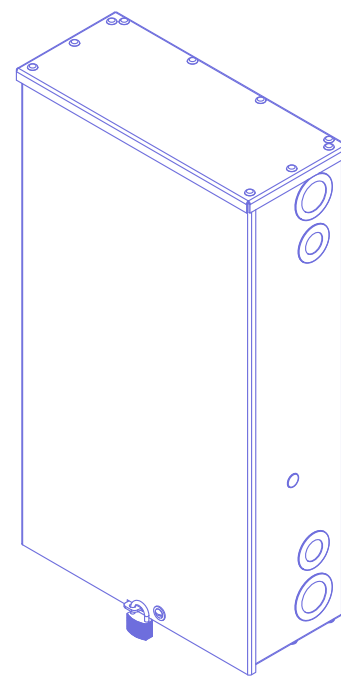


100A 3P TRANSFER SWITCH WITH POWER CONTACTOR
 TS923A0100A
 100A, 2P/3P, NEMA 1 SD / 3R DD, PCS ATS, STD

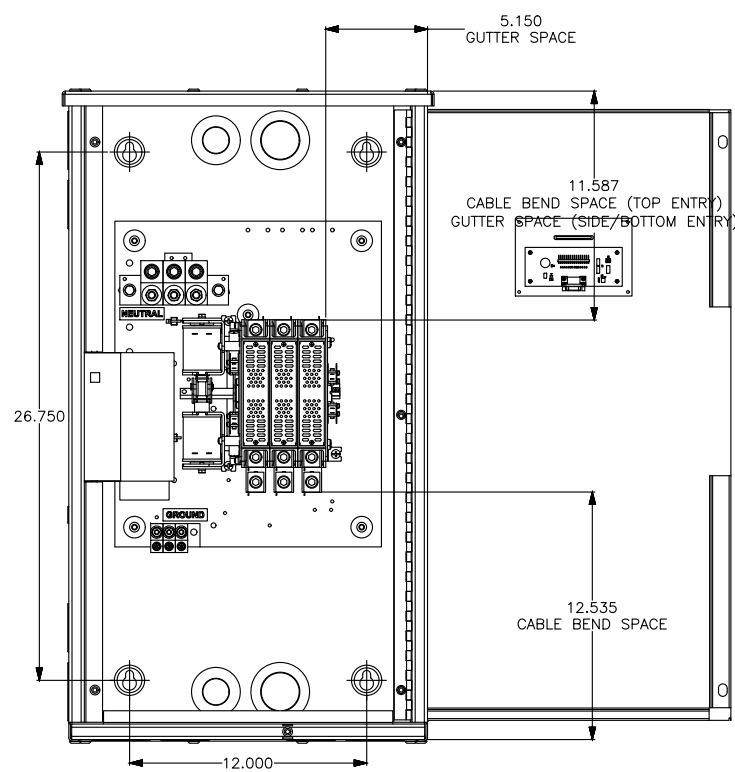
PART ID/ WORK ORDER NUMBER
TS923A0100A
 DRAWN BY: TL AUTH BY: _____ DATE CREATED: 14-01-15 REV: 2
 DRAWING/FILE No.: 211A032 SHEET: 1 / 4



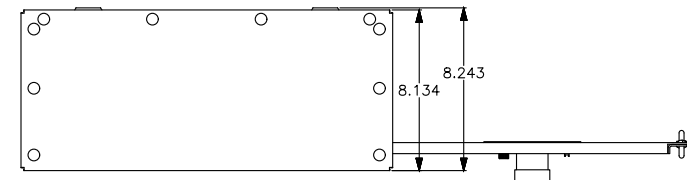
NEMA 1



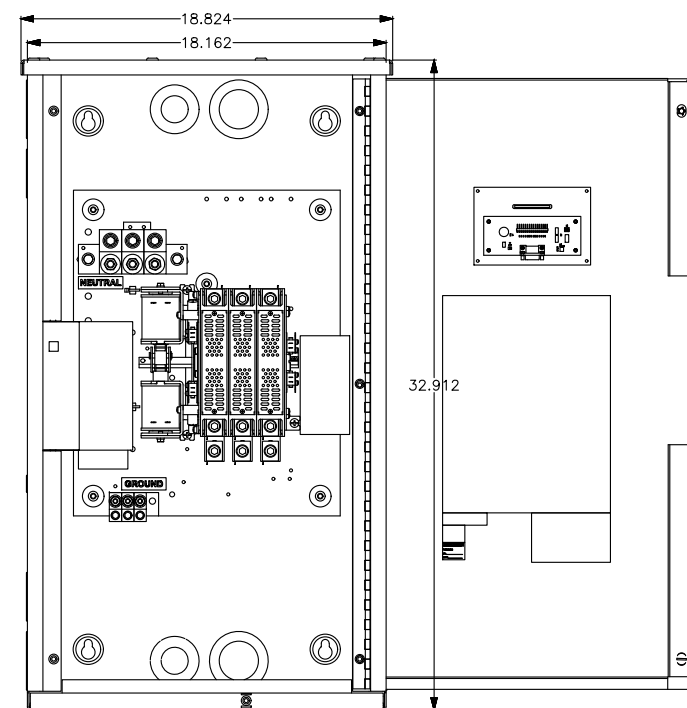
W/ NEMA3R OPTION



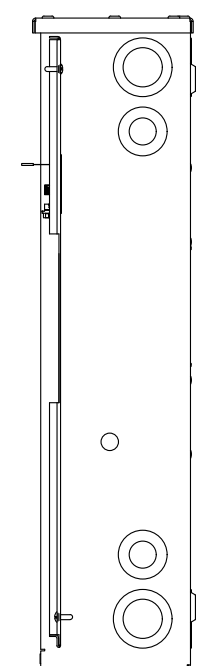
FRONT NO DOOR



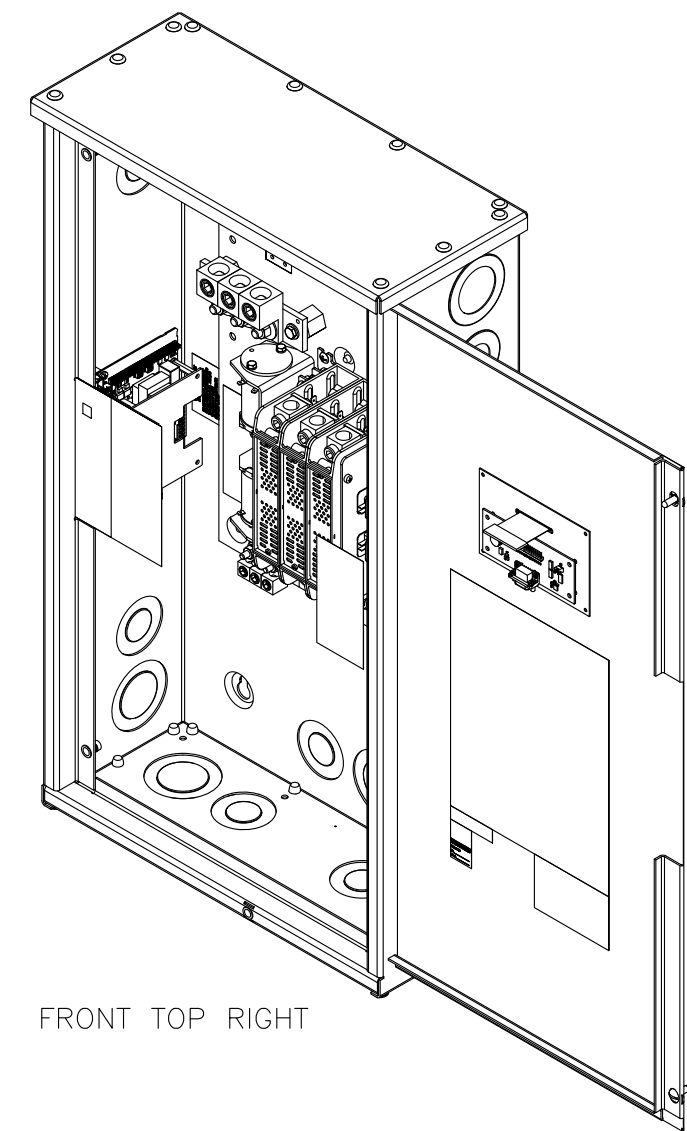
TOP



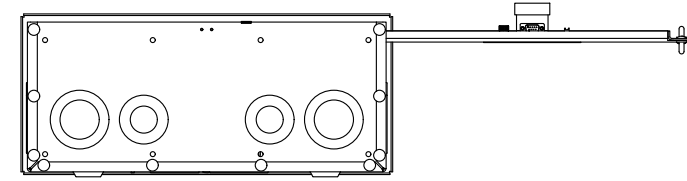
FRONT



RIGHT



FRONT TOP RIGHT



BOTTOM

NOTES:
 1) BOTTOM & SIDE CABLE ACCESS, MAX 300MCM
 2) TOP CABLE ACCESS, MAX 3/0
 3) ELECTRICAL KNOCKOUTS FOR 1", 1½ 2" & 2½ CONDUIT

Parts List

ITEM	QTY	PID	PART NUMB	DESCRIPTION
1	1		013E014	BACK PAN ASSEMBLY, 200A, 3P
2	1		209A002	CONTROLLER, TSC9, TS910
3	1	000944		THOMSON TECHNOLOGY LOGO SMALL
4	6	001114	0161626	SCREW, MACH, COMBO, RDH, PLT #8-32X1/4"
5	2	001130		SCREW, MACH, COMBO, TRH, 1/4"-20 X 3/4",
6	2	001155		NUT, PUSH ON-RETAINER, 1/4"
7	6	002088	1133708	WASHER, INTERNAL-TOOTH-LOCK, PLT #8
8	2	002101		WASHER, FLAT, NYLON 7/8"ODX0.257IDX1/16"
9	1	007132		DANGER ARC HAZARD LABEL
10	1	008171		LABEL, MADE IN MEXICO
11	1	008380		CONTROL ISOLATION INSTRUCTION LABEL
12	1	008384		PERFORMANCE/QUALITY VERIFIED LABEL
13	6	011003		RIVET, BLIND, 0.1875x0.377, AL-AL
14	1	011030		NAME PLATE, TS910, HOME GUARD
16	1	011088	UL CERT	UL CERT, TS910, HOME GUARD
17	1	011119	024E017	MAIN LABEL, INNER DOOR, 200A, TS910
19	1	011460	003A054	ENCLOSURE, 200A SE, TS910
32	1		020J021	
33	1		BHP	DESCRIPTION

APPROVED FOR CONSTRUCTION
 MASTER COPY REFERENCE COPY OF
 MULTIPLE UNIT WORK ORDER
 RELEASED FOR INFORMATION
 AUTH. BY: _____ DATE: _____

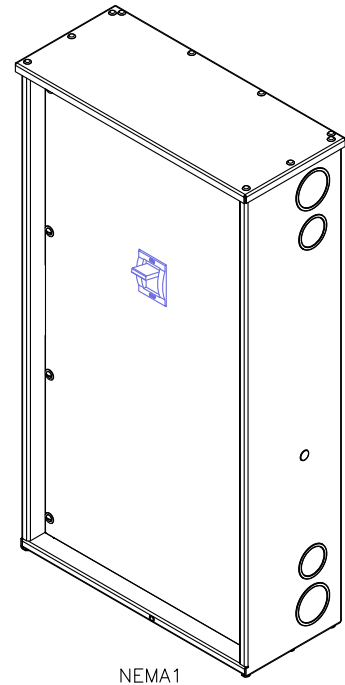
DIMENSIONS IN INCHES, []=MILLIMETERS
 CAD GENERATED DRAWING, DO NOT CHANGE MANUALLY.
 THIRD ANGLE PROJECTION:
 DO NOT SCALE DRAWING
 REFER TO DRAWING #099E001 FOR TOLERANCES

2	GENERAL NOTES AND LOGO UPDATED	17-10-24	PKN
1	REMOVED PACKAGING FROM MODEL, SCN822	12-11-15	TL

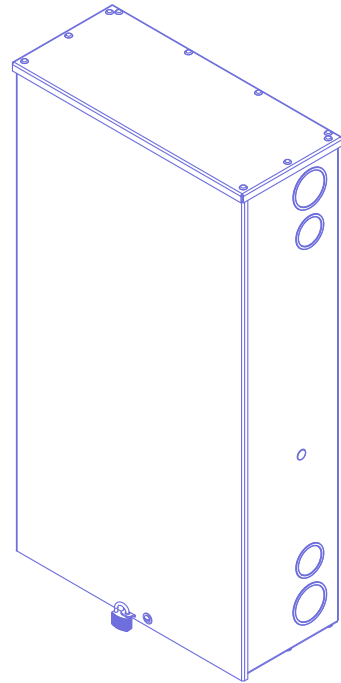


200A 3P TRANSFER SWITCH WITH POWER CONTACTOR
 TS923A0200A
 200A, 2P/3P, NEMA 1 SD / 3R DD, PCS ATS, STD

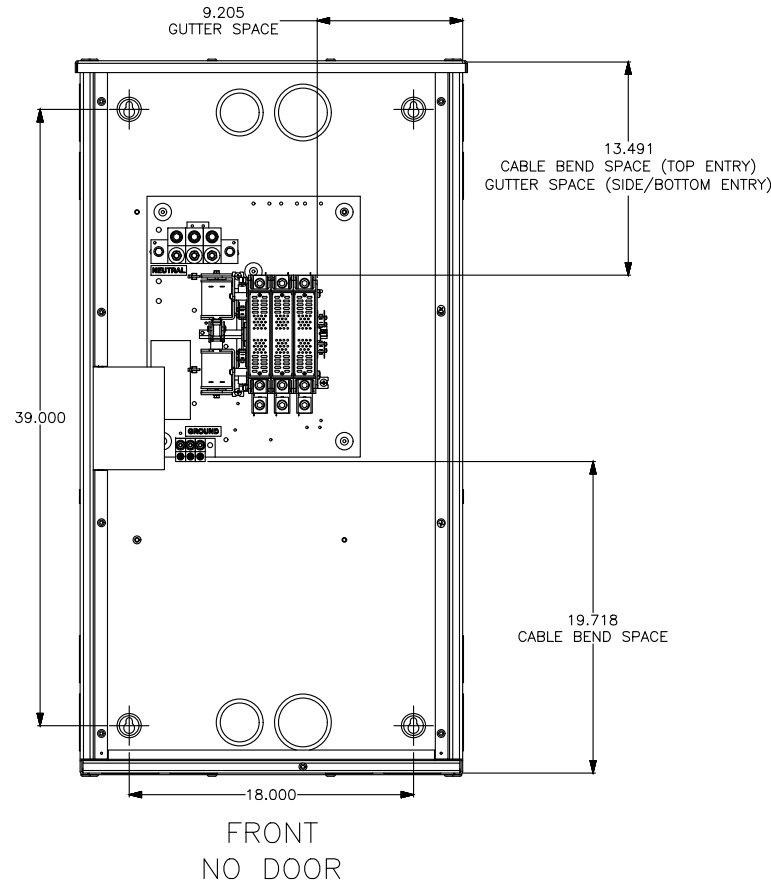
PART ID/ WORK ORDER NUMBER TS923A0200A			
DRAWN BY TL	AUTH BY	DATE CREATED 14-01-15	REV 2
DRAWING/FILE No. 211A031			SHEET 1 / 4



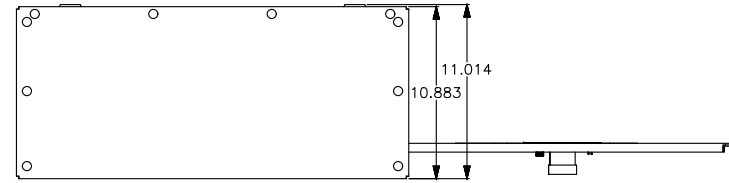
NEMA1



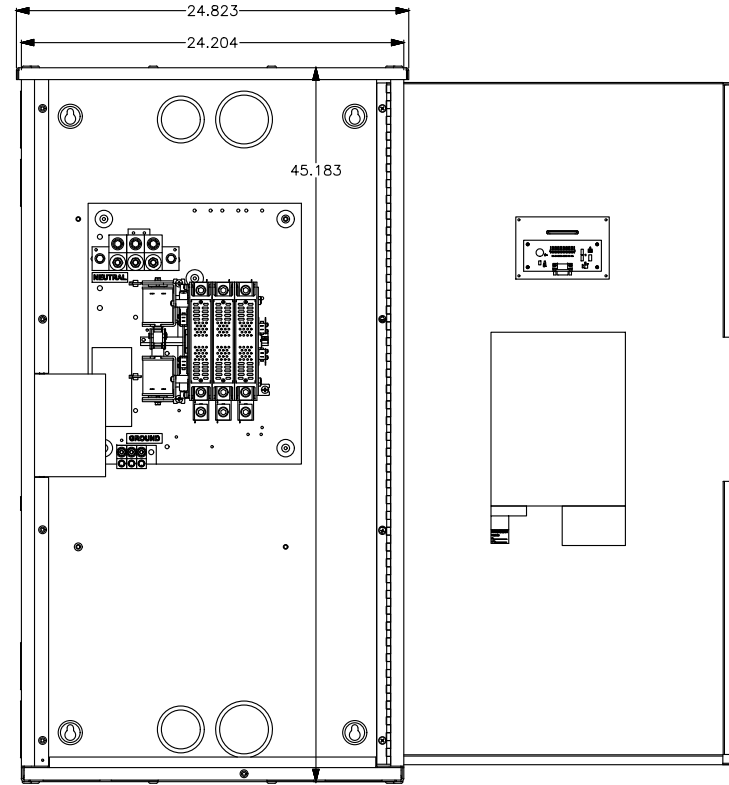
W/ NEMA3R OPTION



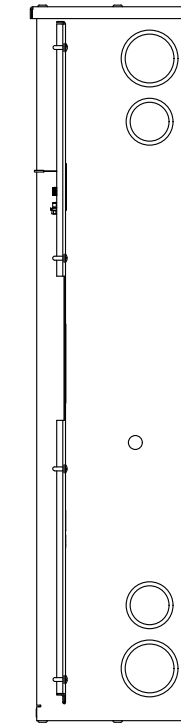
FRONT
NO DOOR



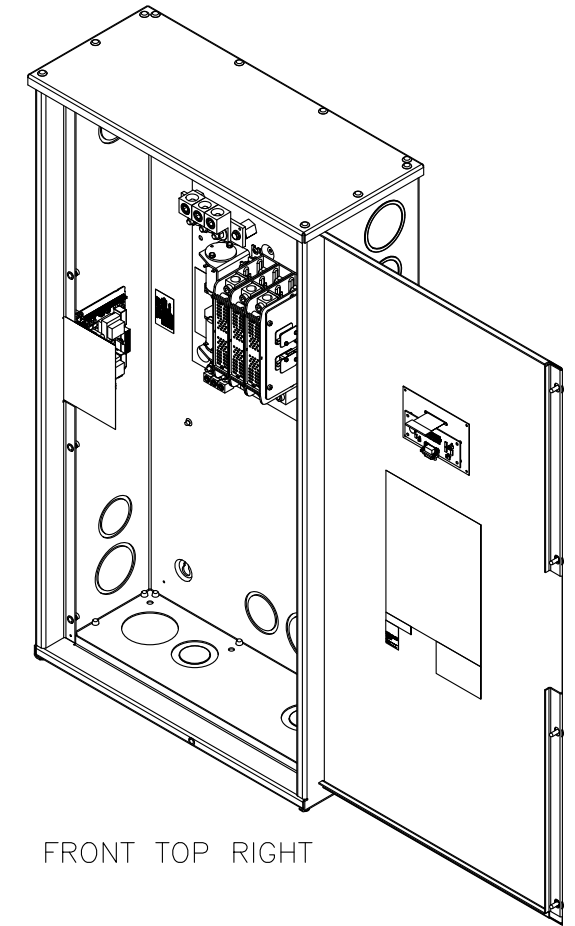
TOP



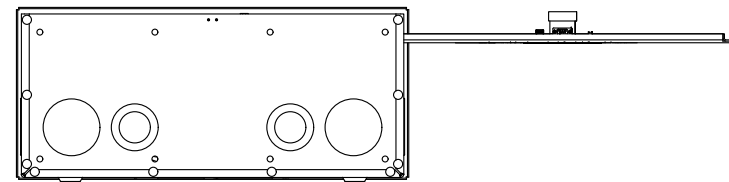
FRONT



RIGHT



FRONT TOP RIGHT



BOTTOM

- NOTES:
 1) BOTTOM & SIDE CABLE ACCESS, MAX 250MCM 2c OR 600MCM
 2) TOP CABLE ACCESS, MAX 3/0 2c
 3) ELECTRICAL KNOCKOUTS FOR 2" & 3" CONDUIT

Parts List

ITEM	QTY	PID	PART NUMB	DESCRIPTION
2	1		209A002	CONTROLLER, TSC9, TS910
4	6	001114	0161626	SCREW, MACH, COMBO, RDH, PLT #8-32X1/4"
5	4	001130		SCREW, MACH, COMBO, TRH, 1/4"-20 X 3/4"
6	4	001155		NUT, PUSH ON-RETAINER, 1/4"
9	4	002101		WASHER, FLAT, NYLON 7/8"ODX0.257IDX1/16"
10	1	007132		DANGER ARC HAZARD LABEL
11	1	008171		LABEL, MADE IN MEXICO
12	1	008380		CONTROL ISOLATION INSTRUCTION LABEL
14	1	010815	003A053	ENCLOSURE, 400A, TS910
15	6	011003		RIVET, BLIND, 0.1875x0.377, AL-AL
16	6	002088	1133708	WASHER, INTERNAL-TOOTH-LOCK, PLT #8
17	1	011032		NAME PLATE, TS910, HOME GUARD
20	1	011088	UL CERT	UL CERT, TS910, HOME GUARD
4	1		013E014	BACK PAN ASSEMBLY, 200A, 3P
9	1		020J020	
30	1	011119	024E017	MAIN LABEL, INNER DOOR, 200A, TS910
33	1	012164	024E041	LABEL, MARATHON THOMSON POWER SYSTEM, 10"
34	1		BHP	DESCRIPTION

APPROVED FOR CONSTRUCTION
 MASTER COPY REFERENCE COPY OF _____
 MULTIPLE UNIT WORK ORDER
 RELEASED FOR INFORMATION
 AUTH. BY: _____ DATE: _____

DIMENSIONS IN INCHES, []=MILLIMETERS
 CAD GENERATED DRAWING, DO NOT CHANGE MANUALLY.
 THIRD ANGLE PROJECTION:
 DO NOT SCALE DRAWING
 REFER TO DRAWING #099E001 FOR TOLERANCES

3	GENERAL NOTES AND LOGO UPDATED	17-10-24	PKN
2	ADDED STIFFENED DOOR	14-04-21	DJ
1	REMOVED PACKAGING FROM MODEL, SCN822	12-11-15	TL



400A 3P 2c TRANSFER SWITCH WITH POWER CONTACTOR
 TS923A0400A
 400A, 2P/3P, NEMA 1 SD / 3R DD, PCS ATS, STD

PART ID/ WORK ORDER NUMBER TS923A0400A			
DRAWN BY SB	AUTH BY	DATE CREATED 12-02-29	REV 3
DRAWING/FILE No. 211A030			SHEET 1 / 4