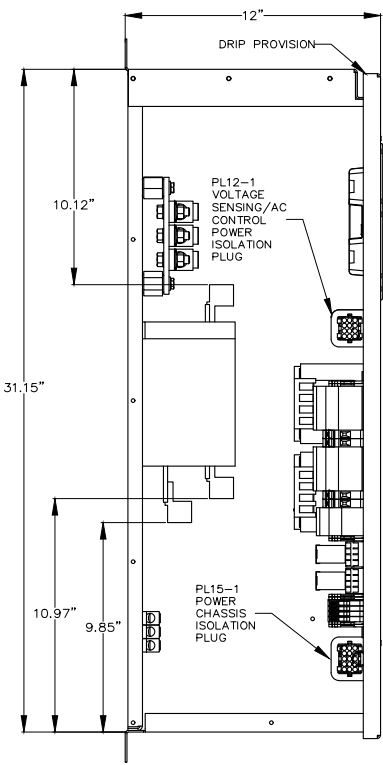
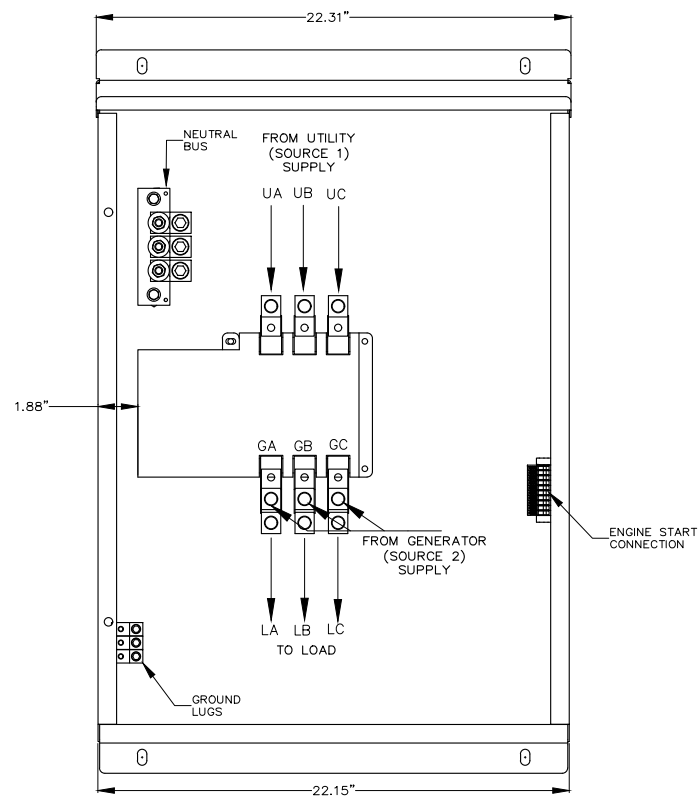


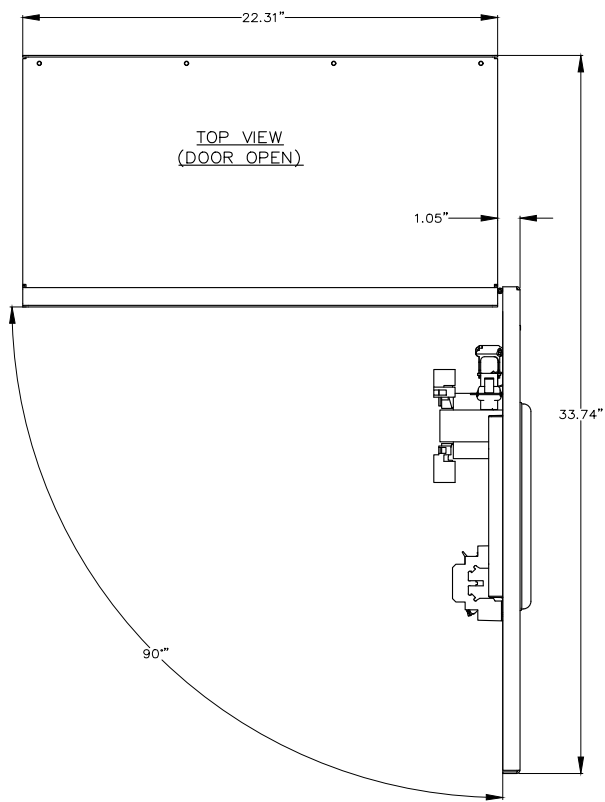
FRONT VIEW



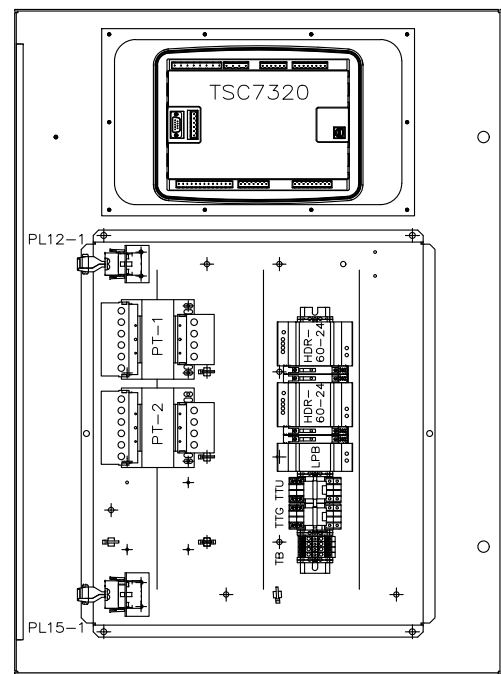
LHS VIEW
(SIDE COVER REMOVED)



INTERIOR FRONT VIEW
(DOOR NOT SHOWN)



TOP VIEW
(DOOR OPEN)



VIEWED FROM REAR
(INSIDE) OF DOOR

CONNECTION DATA	
UTILITY (SRC1)	1C, #6-300MCM Cu/AI PER PHASE
GENERATOR (SRC2)	1C, #6-300MCM Cu/AI PER PHASE
LOAD	1C, #6-300MCM Cu/AI PER PHASE
NEUTRAL	1C, #6-300MCM Cu/AI PER PHASE
GROUND	3C, #14-2/0 Cu/AI

GENERAL NOTES	
1	NEMA 12 / NEMA 3R SD ENCLOSURE C/W GASKETING
2	FOR 1 PHASE, 3 WIRE SOLID NEUTRAL APPLICATION, CONNECT PHASE TO 'A' & 'B'. OMIT 'C'
3	FOR 1 PHASE, 3 WIRE SWITCHED NEUTRAL APPLICATION, CONNECT PHASE TO 'A' & 'B'. CONNECT NEUTRAL TO 'C'
4	REFER COVER PAGE / SELECTED OPTION LIST FOR PROJECT SPECIFIC DETAILS

2.5" x 5"



Arc Flash and Shock Hazard
Will cause severe injury or death. More than one live circuit - see diagram. Disconnect all sources of supply before servicing. This equipment must be installed and serviced only by qualified electrical personnel utilizing safe work practices and appropriate Personal Protective Equipment (PPE). Failure to comply may result in injury or death! Refer to NFPA 70E for minimum PPE requirements.

Risque d'Arc Electrique et d'Electrocution
Peut causer des blessures graves ou la mort. Plus d'un circuit sous tension - voir schéma. Couper toutes les sources d'alimentation avant de faire l'entretien et les réparations. Ce matériel doit être installé et entretenu uniquement par un électricien qualifié. Ce dernier doit connaître les pratiques de travail sécuritaires et porter l'équipement de protection individuelle approprié. Le non respect peut entraîner des blessures ou la mort! Reportez-vous à NFPA 70E pour le manuel des exigences minimales PPE.

Riesgo de Arco y Choque Eléctrico
Se causarán lesiones graves o muerte. Más de un circuito energizado - ver diagrama. Desconectar todas las fuentes de suministro antes de hacer mantenimiento. Este equipo solo se debe instalar y mantener por personal calificado, usando medidas de seguridad y equipo de protección personal adecuados. No seguir estas recomendaciones puede causar lesiones o muerte! Consultar la NFPA 70E para los requisitos mínimos del equipo de protección personal (PPE).

QTY = 1

APPROVED FOR CONSTRUCTION
 MASTER COPY REFERENCE COPY OF _____
 MULTIPLE UNIT WORK ORDER
 RELEASED FOR INFORMATION
 AUTH. BY: _____ DATE: _____

CROSS REFERENCE LEGEND
 50C-C-1
 GRID COORDINATE
 SHEET No. _____

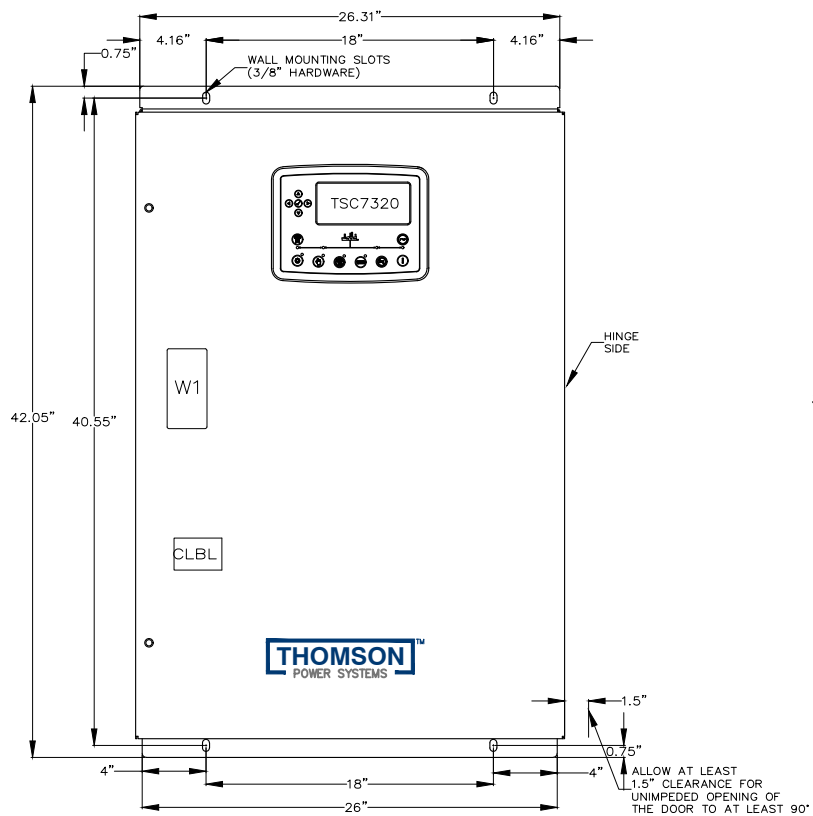
DRAWING No.	REFERENCE DRAWINGS	No.	REVISIONS	BY	IAUTH	DATE



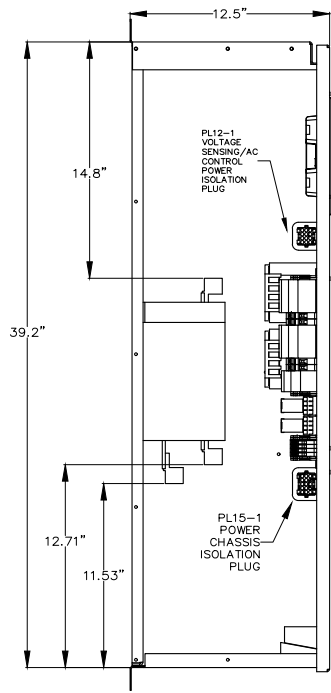
AUTOMATIC TRANSFER SWITCH
 MODEL TS 970
 PHYSICAL LAYOUT & INSTALLATION DETAILS
 100A, 2P/3P, NEMA 1/2/12/3R SD, PCS ATS, STD

DRAWINGS AND/OR OTHER TECHNICAL INFORMATION SUPPLIED BY THOMSON POWER SYSTEMS AS A PART OF A SALE OF EQUIPMENT ARE FOR THE PURCHASER'S USE SOLELY IN CONJUNCTION WITH THAT EQUIPMENT, UNLESS SPECIFICALLY AGREED TO OTHERWISE AS A PART OF THE TERMS OF SALE.

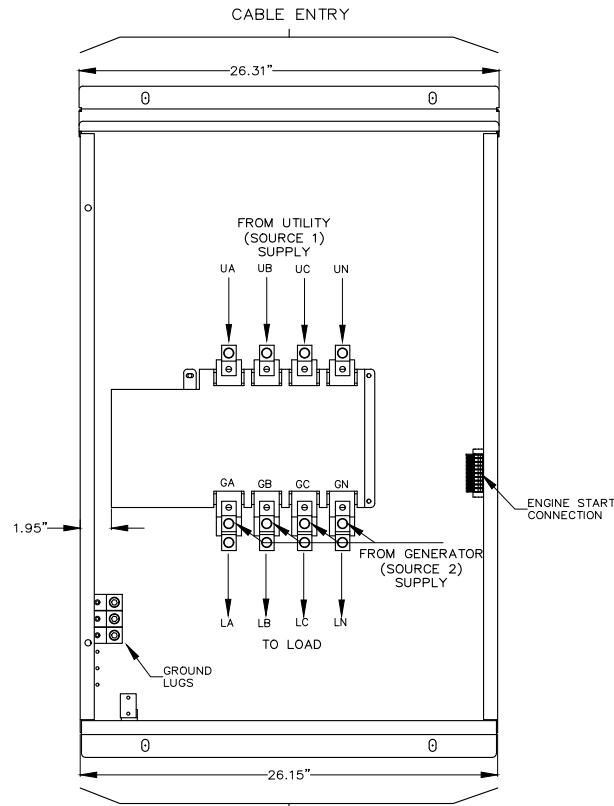
CUSTOMER THOMSON POWER SYSTEMS	
CUSTOMER ORDER No. C-XXXXXX	WORK ORDER No. W-XXXXXX
DRAWN BY SK	AUTH BY OG
DATE 22-11-08	REV 0
DRAWING/FILE No. PCS970M300	SHEET 10A



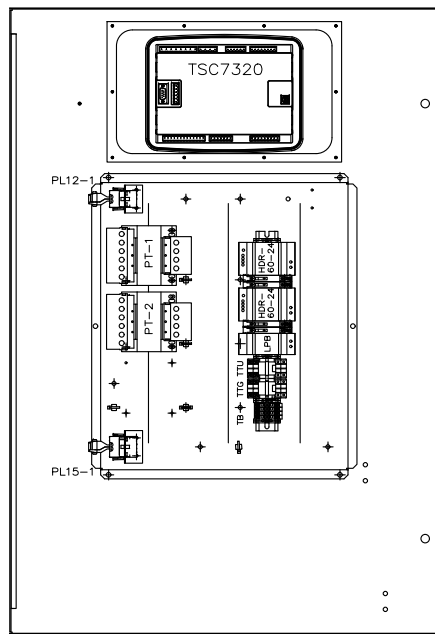
FRONT VIEW



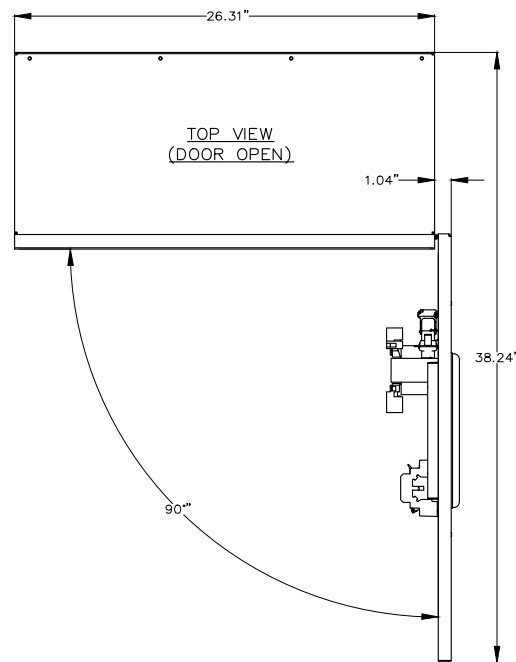
LHS VIEW
(SIDE COVER REMOVED)



CABLE ENTRY
INTERIOR FRONT VIEW
(DOOR NOT SHOWN)



VIEWED FROM REAR
(INSIDE) OF DOOR



TOP VIEW
(DOOR OPEN)

CONNECTION DATA		
150A ATS	UTILITY (SRC1)	1C, #6-300MCM Cu/Al PER PHASE & NEUTRAL
	GENERATOR (SRC2)	1C, #6-300MCM Cu/Al PER PHASE & NEUTRAL
	LOAD	1C, #6-300MCM Cu/Al PER PHASE & NEUTRAL
	GROUND	3C, #14-2/0 Cu/Al
200A ATS	UTILITY (SRC1)	1C, #6-300MCM Cu/Al PER PHASE & NEUTRAL
	GENERATOR (SRC2)	1C, #6-300MCM Cu/Al PER PHASE & NEUTRAL
	LOAD	1C, #6-300MCM Cu/Al PER PHASE & NEUTRAL
	GROUND	3C, #14-2/0 Cu/Al
250A ATS	UTILITY (SRC1)	1C, #6-350MCM Cu/Al PER PHASE & NEUTRAL
	GENERATOR (SRC2)	1C, #6-350MCM Cu/Al PER PHASE & NEUTRAL
	LOAD	1C, #6-350MCM Cu/Al PER PHASE & NEUTRAL
	GROUND	3C, #14-2/0 Cu/Al

GENERAL NOTES	
1	NEMA 12 / NEMA 3R SD ENCLOSURE C/W GASKETING
2	FOR 1 PHASE, 3 WIRE SOLID NEUTRAL APPLICATION, CONNECT PHASE TO 'A' & 'B'. OMIT 'C'
3	FOR 1 PHASE, 3 WIRE SWITCHED NEUTRAL APPLICATION, CONNECT PHASE TO 'A' & 'B'. CONNECT NEUTRAL TO 'C'
4	REFER COVER PAGE / SELECTED OPTION LIST FOR PROJECT SPECIFIC DETAILS

2.5" x 5"

⚠ DANGER PELIGRO

Arc Flash and Shock Hazard
Will cause severe injury or death. Match the one line circuit - see diagram. Disconnect all sources of supply before servicing. This equipment must be installed and serviced only by qualified electrical personnel utilizing safe work practices and appropriate Personal Protective Equipment (PPE). Failure to comply may result in injury or death! Refer to NFPA 70E for minimum PPE requirements.

Risque d'Arc Electrique et d'Electrocution
Peut causer des blessures graves ou la mort. Plus d'un circuit sous tension - voir schéma. Couper toutes les sources d'alimentation avant de faire l'entretien et les réparations. Ce matériel doit être installé et entretenu uniquement par un électricien qualifié. Ce dernier doit connaître les pratiques de travail sécuritaires et porter l'équipement de protection individuelle approprié. Le non respect peut entraîner des blessures ou la mort. Reportez-vous à NFPA 70E pour le manuel des exigences minimales PPE.

Riesgo de Arco y Choque Eléctrico
Se causarían lesiones graves o muerte. Más de un circuito energizado - ver diagrama. Desconectar todas las fuentes de suministro antes de hacer mantenimiento. Este equipo solo se debe instalar y mantener por personal calificado, usando medidas de seguridad y equipo de protección personal adecuados. No seguir estas recomendaciones puede causar lesiones o muerte! Consultar la NFPA 70E para los requisitos mínimos del equipo de protección personal (PPE)

QTY = 1

APPROVED FOR CONSTRUCTION
 MASTER COPY REFERENCE COPY _____ OF _____
 MULTIPLE UNIT WORK ORDER
 RELEASED FOR INFORMATION
 AUTH. BY: _____ DATE: _____

CROSS REFERENCE LEGEND
 50C-C-1
 GRID COORDINATE
 SHEET No. _____

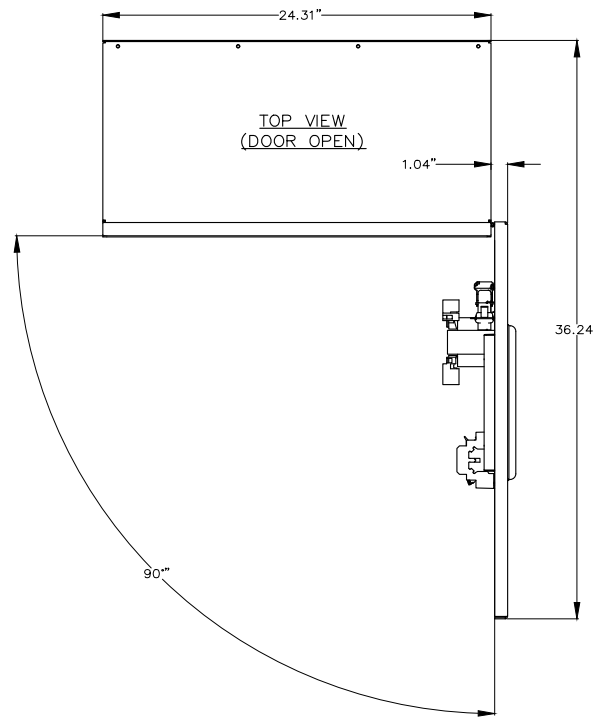
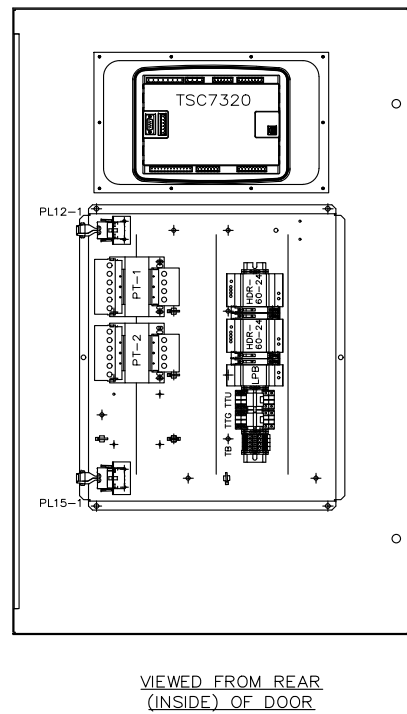
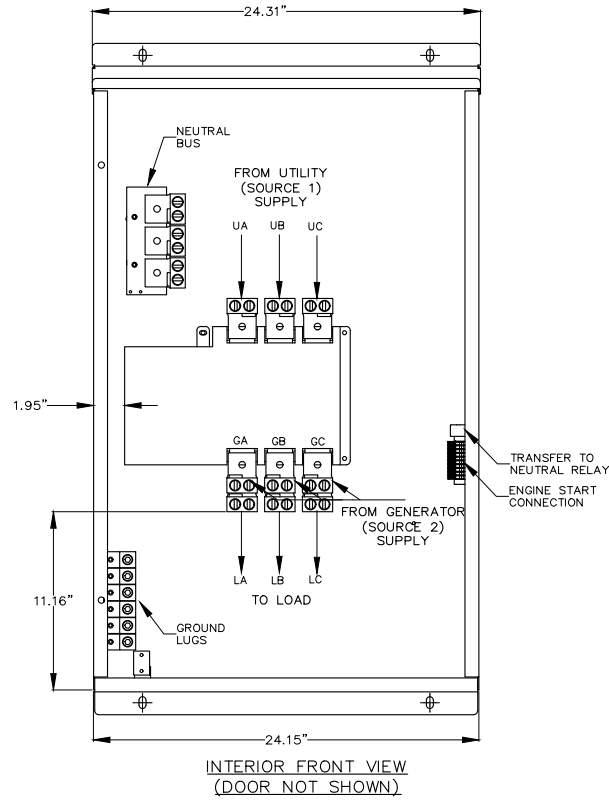
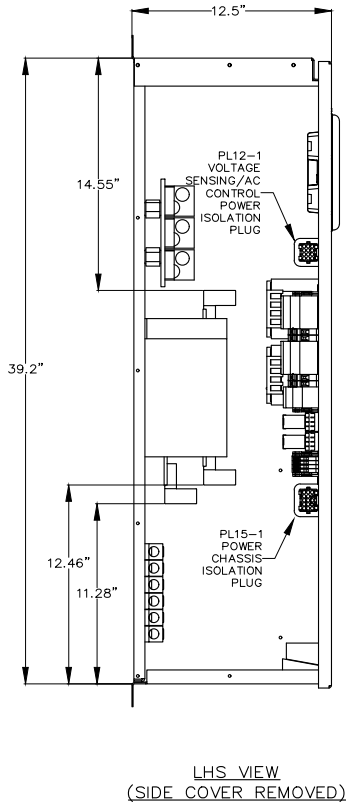
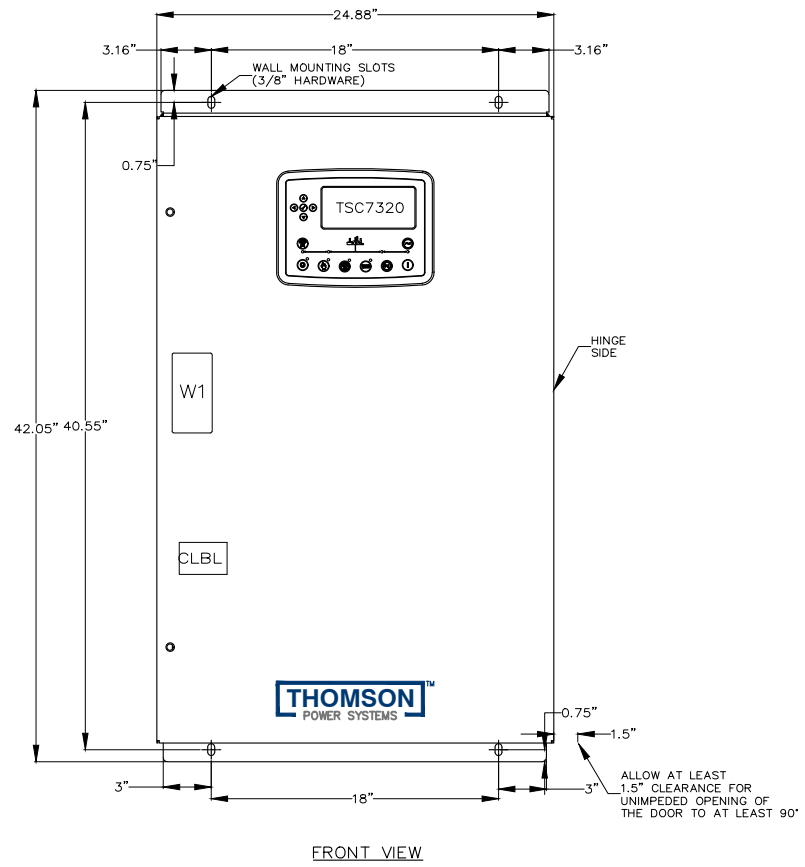
DRAWING No.	REFERENCE DRAWINGS	No.	REVISIONS	BY	DATE



AUTOMATIC TRANSFER SWITCH
 MODEL TS 970
 PHYSICAL LAYOUT & INSTALLATION DETAILS
 150-250A, 4P, NEMA 1/2/12/3R SD, PCS ATS, STD

FOR REVIEW ONLY

DRAWINGS AND/OR OTHER TECHNICAL INFORMATION SUPPLIED BY THOMSON POWER SYSTEMS AS A PART OF A SALE OF EQUIPMENT ARE FOR THE PURCHASER'S USE SOLELY IN CONJUNCTION WITH THAT EQUIPMENT, UNLESS SPECIFICALLY AGREED TO OTHERWISE AS A PART OF THE TERMS OF SALE.			
CUSTOMER THOMSON POWER SYSTEMS		WORK ORDER No. W-XXXXXX	
CUSTOMER ORDER No. C-XXXXXX	AUTH BY SK	DATE 22-11-08	REV 0
DRAWING/FILE No. PCS970M305		SHEET 10A	



CONNECTION DATA		
UTILITY (SRC1)	1-2C, 2/0-500MCM Cu/Al	PER PHASE
GENERATOR (SRC2)	1-2C, 2/0-500MCM Cu/Al	PER PHASE
LOAD	1-2C, 2/0-500MCM Cu/Al	PER PHASE
NEUTRAL	1-2C, 2/0-500MCM Cu/Al	PER SOURCE
GROUND	6C, #6-250MCM Cu/Al	

GENERAL NOTES	
1	NEMA 12 / NEMA 3R SD ENCLOSURE C/W GASKETING
2	FOR 1 PHASE, 3 WIRE SOLID NEUTRAL APPLICATION, CONNECT PHASE TO 'A' & 'B'. OMIT 'C'
3	FOR 1 PHASE, 3 WIRE SWITCHED NEUTRAL APPLICATION, CONNECT PHASE TO 'A' & 'B'. CONNECT NEUTRAL TO 'C'
4	REFER COVER PAGE / SELECTED OPTION LIST FOR PROJECT SPECIFIC DETAILS

2.5" x 5"

⚠ DANGER PELIGRO

Arc Flash and Shock Hazard
Will cause severe injury or death. More than one live circuit - see diagram. Disconnect all sources of supply before servicing. This equipment must be installed and serviced only by qualified electrical personnel utilizing safe work practices and appropriate Personal Protective Equipment (PPE). Failure to comply may result in injury or death! Refer to NFPA 70E for minimum PPE requirements.

Risque d'Arc Electrique et d'Electrocution
Peut causer des blessures graves ou la mort. Plus d'un circuit sous tension - voir schéma. Couper toutes les sources d'alimentation avant de faire l'entretien et les réparations. Ce matériel doit être installé et entretenu uniquement par un électricien qualifié. Ce dernier doit connaître les pratiques de travail sécuritaires et porter l'équipement de protection individuelle approprié. Le non respect peut entraîner des blessures ou la mort! Reportez-vous à NFPA 70E pour le manuel des exigences minimales PPE.

Riesgo de Arco y Choque Eléctrico
Se causarán lesiones graves o muerte. Más de un circuito energizado - ver diagrama. Desconectar todas las fuentes de suministro antes de hacer mantenimiento. Este equipo solo se debe instalar y mantener por personal calificado, usando medidas de seguridad y equipo de protección personal adecuados. No seguir estas recomendaciones puede causar lesiones o muerte! Consultar la NFPA 70E para los requisitos mínimos del equipo de protección personal (PPE).

QTY = 1

APPROVED FOR CONSTRUCTION
 MASTER COPY REFERENCE COPY _____ OF _____
 MULTIPLE UNIT WORK ORDER
 RELEASED FOR INFORMATION
 AUTH. BY: _____ DATE: _____

CROSS REFERENCE LEGEND
 50C-C-1
 GRID COORDINATE
 SHEET No. _____

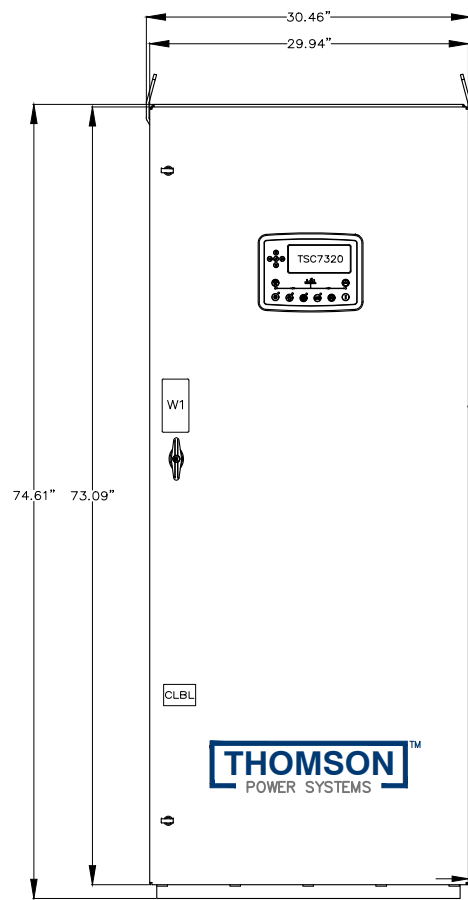
DRAWING No.	REFERENCE DRAWINGS	No.	REVISIONS	BY	AUTH	DATE



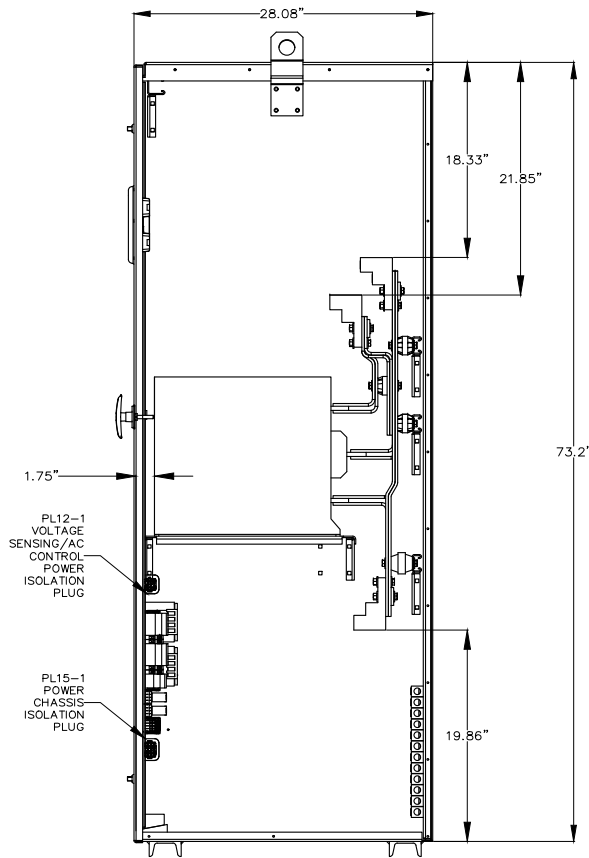
AUTOMATIC TRANSFER SWITCH
 MODEL TS 970
 PHYSICAL LAYOUT & INSTALLATION DETAILS
 400A, 2P/3P, NEMA 1/2/12/3R SD, PCS ATS, STD

FOR REVIEW ONLY

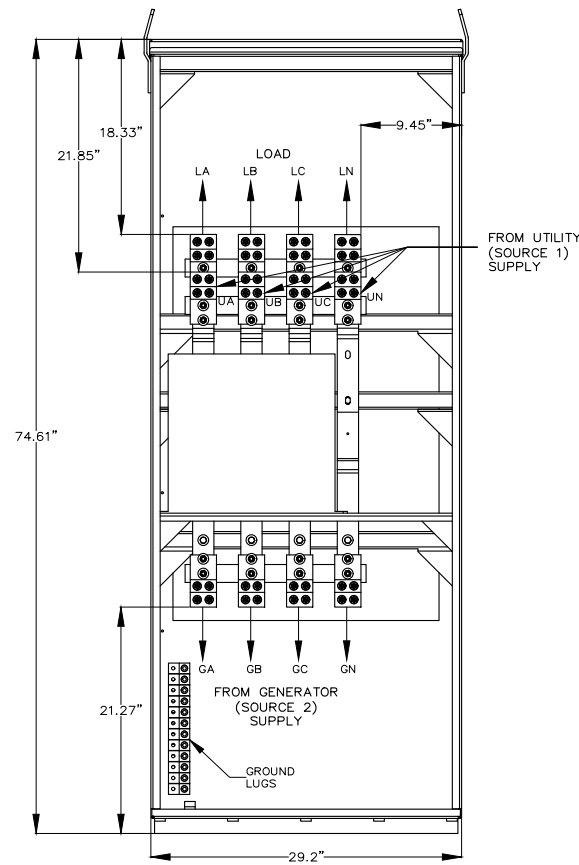
CUSTOMER THOMSON POWER SYSTEMS			
CUSTOMER ORDER No.	WORK ORDER No.		
C-XXXXXX	W-XXXXXX		
DRAWN BY	AUTH BY	DATE	REV
SK	OG	22-11-08	0
DRAWING/FILE No.	SHEET		
PCS970M303	10A		



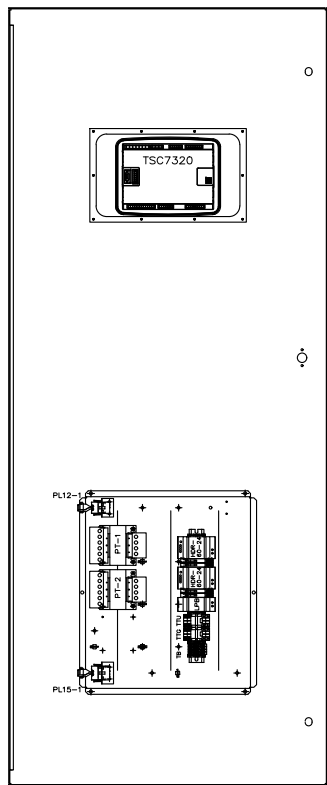
FRONT VIEW



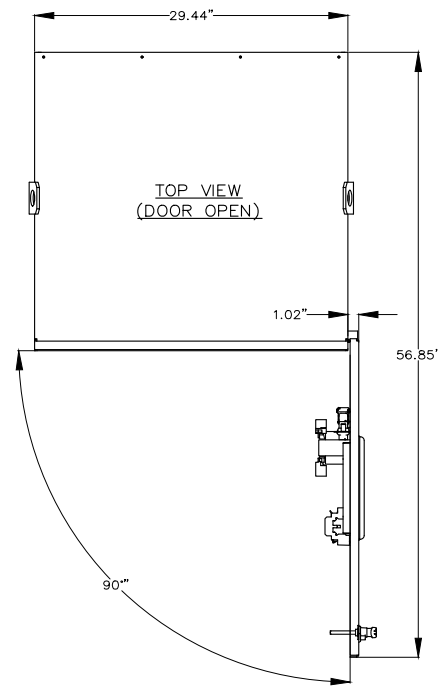
RIGHT SIDE VIEW
(SIDE SHEET REMOVED)



INTERIOR FRONT VIEW
(DOOR NOT SHOWN)



VIEWED FROM REAR
(INSIDE) OF DOOR



TOP VIEW
(DOOR OPEN)

CONNECTION DATA		
600A ATS	UTILITY (SRC1)	1-4C, #4-600MCM Cu/Al PER PHASE
	GENERATOR (SRC2)	1-4C, #4-600MCM Cu/Al PER PHASE
	LOAD	1-4C, #4-600MCM Cu/Al PER PHASE
	NEUTRAL	1-4C, #4-600MCM Cu/Al PER SOURCE
	GROUND	12C, #6-250MCM Cu/Al
800A ATS	UTILITY (SRC1)	1-4C, #4-600MCM Cu/Al PER PHASE
	GENERATOR (SRC2)	1-4C, #4-600MCM Cu/Al PER PHASE
	LOAD	1-4C, #4-600MCM Cu/Al PER PHASE
	NEUTRAL	1-4C, #4-600MCM Cu/Al PER SOURCE
	GROUND	12C, #6-250MCM Cu/Al
1000A ATS	UTILITY (SRC1)	1-4C, #4-600MCM Cu/Al PER PHASE
	GENERATOR (SRC2)	1-4C, #4-600MCM Cu/Al PER PHASE
	LOAD	1-4C, #4-600MCM Cu/Al PER PHASE
	NEUTRAL	1-4C, #4-600MCM Cu/Al PER SOURCE
	GROUND	12C, #6-250MCM Cu/Al

GENERAL NOTES	
1	NEMA 12 / NEMA 3R SD ENCLOSURE C/W GASKETING
2	FOR 1 PHASE, 3 WIRE SOLID NEUTRAL APPLICATION, CONNECT PHASE TO 'A' & 'B'. OMIT 'C'
3	FOR 1 PHASE, 3 WIRE SWITCHED NEUTRAL APPLICATION, CONNECT PHASE TO 'A' & 'B'. CONNECT NEUTRAL TO 'C'
4	REFER COVER PAGE / SELECTED OPTION LIST FOR PROJECT SPECIFIC DETAILS

2.5" x 5"

⚠ DANGER PELIGRO

Arc Flash and Shock Hazard
Will cause severe injury or death. More than one live circuit - see diagram. Disconnect all sources of supply before servicing. This equipment must be installed and serviced only by qualified electrical personnel utilizing safe work practices and appropriate Personal Protective Equipment (PPE). Failure to comply may result in injury or death. Refer to NFPA 70E for minimum PPE requirements.

Risque d'Arc Electrique et d'Electrocution
Peut causer des blessures graves ou la mort. Plus d'un circuit sous tension - voir schéma. Couper toutes les sources d'alimentation avant de faire l'entretien et les réparations. Ce matériel doit être installé et entretenu uniquement par un électricien qualifié. Ce dernier doit connaître les pratiques de travail sécuritaires et porter l'équipement de protection individuelle approprié. Le non respect peut entraîner des blessures ou la mort. Reportez-vous à NFPA 70E pour le manuel des exigences minimales PPE.

Riesgo de Arco y Choque Eléctrico
Se causarán lesiones graves o muerte. Más de un circuito energizado - ver diagrama. Desconectar todas las fuentes de suministro antes de hacer mantenimiento. Este equipo solo se debe instalar y mantener por personal calificado, usando medidas de seguridad y equipo de protección personal adecuado. No seguir estas recomendaciones puede causar lesiones o muerte! Consulte la NFPA 70E para los requisitos mínimos del equipo de protección personal (PPE).

QTY = 1

APPROVED FOR CONSTRUCTION
 MASTER COPY REFERENCE COPY _____ OF _____
 MULTIPLE UNIT WORK ORDER
 RELEASED FOR INFORMATION
 AUTH. BY: _____ DATE: _____

CROSS REFERENCE LEGEND	
50C-C-1	GRID COORDINATE
_____	SHEET No.
_____	DRAWING No.
_____	REFERENCE DRAWINGS No.
_____	REVISIONS
_____	BY AUTH. DATE



AUTOMATIC TRANSFER SWITCH
 MODEL TS 970
PHYSICAL LAYOUT & INSTALLATION DETAILS
 600-1000A, 2P/3P, NEMA 1/2/12/3R SD, PCS ATS, STD

DRAWINGS AND/OR OTHER TECHNICAL INFORMATION SUPPLIED BY THOMSON POWER SYSTEMS AS A PART OF A SALE OF EQUIPMENT ARE FOR THE PURCHASER'S USE SOLELY IN CONJUNCTION WITH THAT EQUIPMENT, UNLESS SPECIFICALLY AGREED TO OTHERWISE AS A PART OF THE TERMS OF SALE.

CUSTOMER THOMSON POWER SYSTEMS	
CUSTOMER ORDER No. C-XXXXXX	WORK ORDER No. W-XXXXXX
DRAWN BY SK	AUTH BY OG
DATE 22-11-08	REV 0
DRAWING/FILE No. PCS970M307	SHEET 10A

FOR REVIEW ONLY